



Magnetic sensor Extreme
 RC 2580 1W-2m -40°C IP68 Niro Extreme GL
 Material number: 1190459 (Material number old: 22530204)

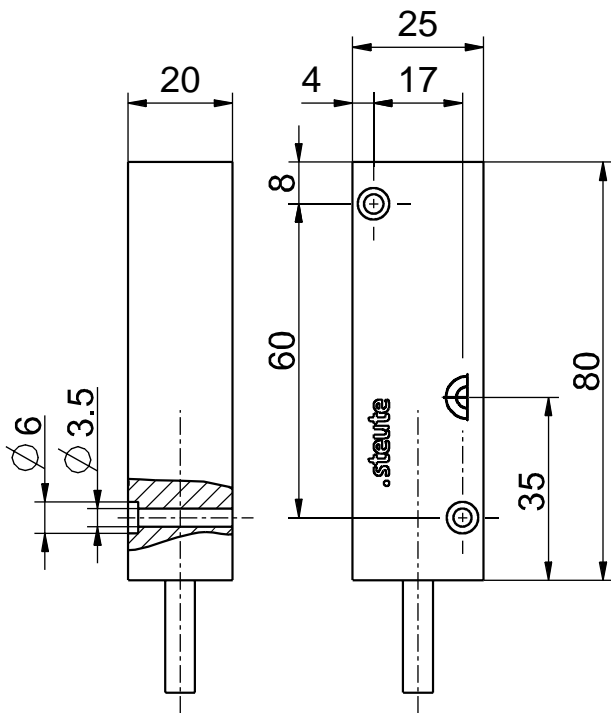
Features/Options:

- Cold-resistant down to -40 °C
- High degree of protection IP 68
- Stainless steel enclosure
- All side actuation
- Switching distance up to 30 mm
- With pre-wired cable
- Maritime certification to DNV GL


Notes

- The actuator is not included in the delivery of the switches

Dimensions



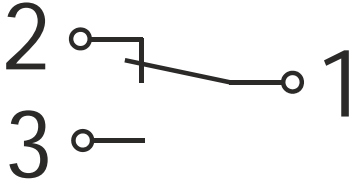
Technical data

Applied standards	EN 60947-5-2
Enclosure	stainless steel 1.4571
Degree of protection	IP 68 to IEC/EN 60529
Switching system	reed contacts
Switching elements	1 change-over contact
Connection	cable BETAflam 145 flex
Cable cross-section	3 x 0.75 mm ²
Cable length	2 m
Switching voltage	250 VAC
Switching current	max. 1 A
Switching capacity	max. 50 W/VA
Ambient temperature	-40 °C ... +120 °C
Mechanical life	> 1 million operations
Repeatability	± 0.02 mm
Vibration resistance	10 ... 50 g
Approvals	
Weight	368 g

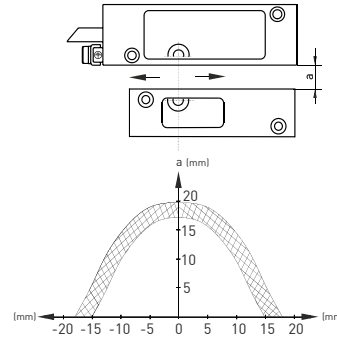


Magnetic sensor Extreme
RC 2580 1W-2m -40°C IP68 Niro Extreme GL
Material number: 1190459 (Material number old: 22530204)

Contact diagram



Axial misalignment



Errors and omissions excepted.