



Position switch with safety function

ES 13 WPH 1Ö/1S - 2m

Material number: 1188933 (Material number old: 13020006)

Features/Options:

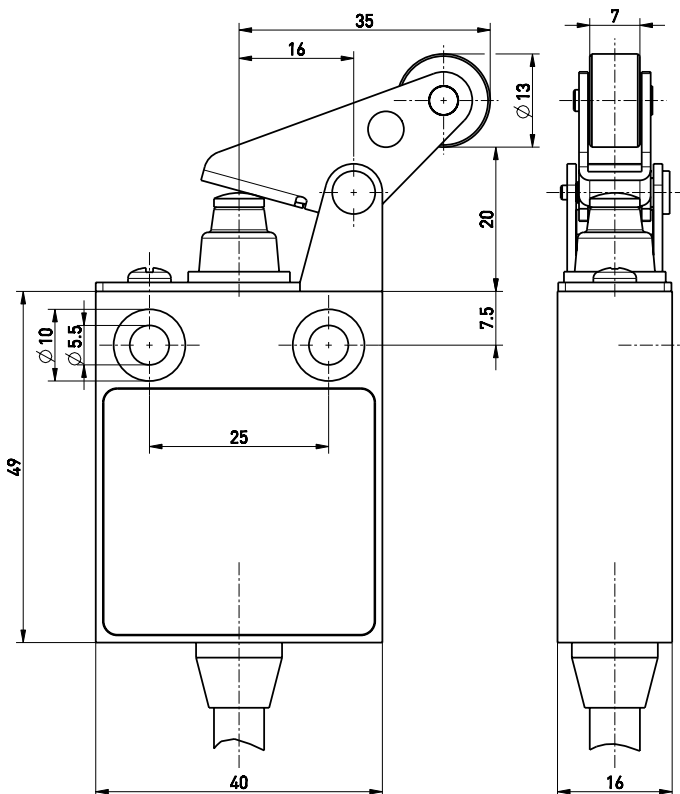
- Thermoplastic enclosure
- Double insulated
- Suitable for in-line mounting
- With pre-wired cable
- Actuator: Parallel roller lever with collar WPH

- Actuating speed max. 0.5 m/s with an actuating angle of 30°
- Actuation parallel to switch from below
- Metal roller
- Watertight collar for protection against penetration of dirt

Notes

- Actuator can be repositioned by 180° on request
- With plastic roller available on request

Dimensions



Technical data

Applied standards	EN ISO 13849-1, EN 60947-5-1, EN ISO 14119
Enclosure	thermoplastic, glass-fibre reinforced, impact resistant, self-extinguishing UL 94 V-0
Switch type	type 1
Coding level	no coding
Tightening torque	enclosure mounting screws: max. 5 Nm
Degree of protection	IP 67 to IEC/EN 60529
B _{10d} (10 % load)	2 million
T _M	max. 20 years
Contact material	silver
Switching system	slow action, positive break NC contacts \ominus
Switching elements	1 NC/1 NO contact, type Zb
Connection	pre-wired cable H05VV-F
Cable cross-section	4 x 0.75 mm ²
Cable length	2 m
Rated impulse withstand voltage U _{imp}	4 kV
Rated insulation voltage U _i	250 V
Conventional thermal current I _{the}	6 A
Rated operating current/voltage I _e /U _e	6 A/250 VAC; 0.25 A/230 VDC; 4 A/24 VDC
Utilisation category	AC-15; DC-13

Errors and omissions excepted.



Position switch with safety function

ES 13 WPH 1Ö/1S - 2m

Material number: 1188933 (Material number old: 13020006)

Technical data

Short-circuit protection 6 A gG/gN fuse

Ambient temperature -20 °C ... +75 °C

Mechanical life > 1 million operations

Operation cycles max. 1800/h

Repeat accuracy of switching points ± 0.1 mm

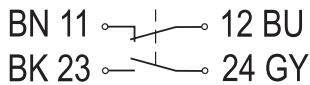
Contact opening max. 2 x 4.5 mm

Approvals

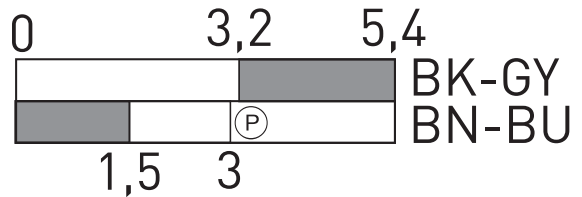


Weight 225 g

Contact diagram

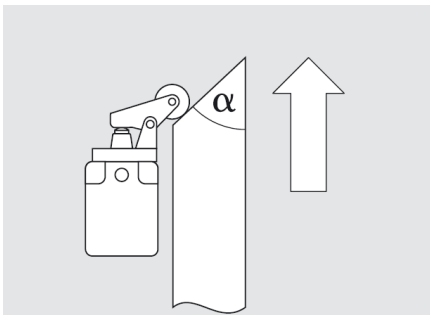


Switching diagram



Ⓟ Positive break travel/angle

Actuating angle



α - Actuating angle from bottom of switch axis as shown in picture