



Pull-wire switch Extreme ZS 71 WZ 1Ö/1S KST IP69 NIRO 55N Extreme Material number: 1250410

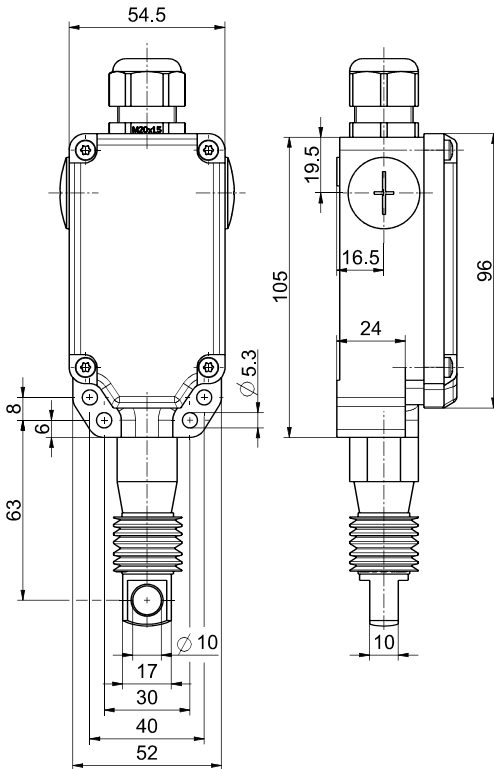
Features/Options:

- Version with higher degree of protection IP69: suitable for cleaning with 80 °C hot water at 100 bar pressure at a distance of 100 mm from different directions
- Pull-wire unit and screws made of stainless steel 1.4305 (NIRO)
- Thermoplastic enclosure
- Compact design

Notes

- One wire thimble is provided.

Dimensions



Technical data

Applied standards	EN 60947-5-1, EN 60947-5-5, EN ISO 13850, EN ISO 13849-1
Enclosure	thermoplastic, glass-fibre reinforced, impact resistant, self-extinguishing UL 94 V-0
Cover	thermoplastic, glass-fibre reinforced, impact resistant, self-extinguishing UL 94 V-0
Degree of protection	IP 66, IP 67, IP 69 (IEC/EN 60529) / IP 69K (ISO 20653)
B _{10d} (10 % load)	200 000
T _M	max. 20 years
Contact material	silver
Switching system	snap action, positive break NC contacts ⊖
Switching elements	1 NC/1 NO contact, type Zb
Connection	screw connection terminals
Cable cross-section	max. 2.5 mm ² (incl. conductor ferrules)
Cable entry	3 x M20 x 1.5
Rated impulse withstand voltage U _{imp}	6 kV
Rated insulation voltage U _i	400 V
Conventional thermal current I _{the}	6 A
Rated operating current/voltage I _e /U _e	6 A/400 VAC
Utilisation category	AC-15
Short-circuit protection	6 A gG/gN fuse

Errors and omissions excepted.



Pull-wire switch Extreme ZS 71 WZ 1Ö/1S KST IP69 NIRO 55N Extreme Material number: 1250410

Technical data

Ambient temperature -25 °C ... +70 °C

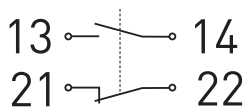
Mechanical life > 100 000 operations

Approvals



Weight 280 g

Contact diagram



Switching diagram

