



Foot switch with thermoplastic enclosure

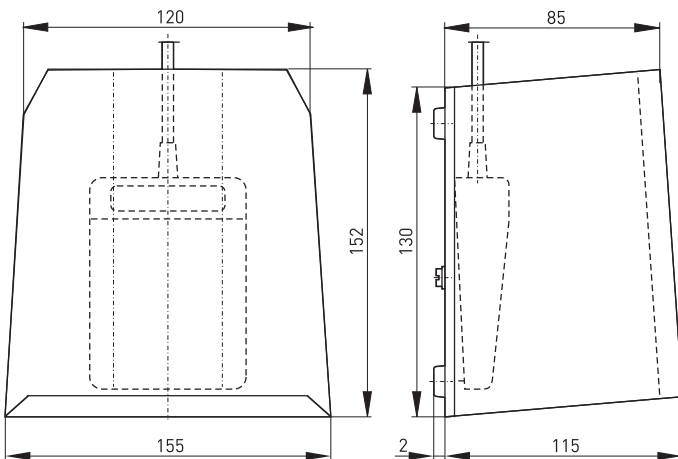
KFS 1S D 1S-2m

Material number: 1049408 (Material number old: 88267002)


Features/Options:

- With pressure point: 2-step switch
- 2 contacts
- Thermoplastic enclosure
- With metal protective shield
- Reed contacts for low currents from 1 mA to 1 A
- With pre-wired cable

Dimensions



Technical data

Applied standards	EN 60947-5-1
Enclosure	thermoplastic, glass-fibre reinforced, impact resistant, self-extinguishing UL 94 V-0
Pedal	thermoplastic, glass-fibre reinforced, impact resistant, self-extinguishing UL 94 V-0
Protective shield	steel, enamel finish
Degree of protection	IP 65 to IEC/EN 60529
Connection	pre-wired cable 4 x AWG 24
Cable length	2 m
Cable diameter	4.3 mm \pm 3%
Cable cross-section	4 x 0.20 mm ²
Switching system	reed contacts
Actuating force	approx. 20 N
Switching voltage	12 ... 250 VAC/DC
Switch-on current	max. 1 A
Switch-on power	max. 30 VA
Ambient temperature	-10 °C ... +60 °C
Mechanical life	> 1 million operations
Approvals	
Weight	605 g

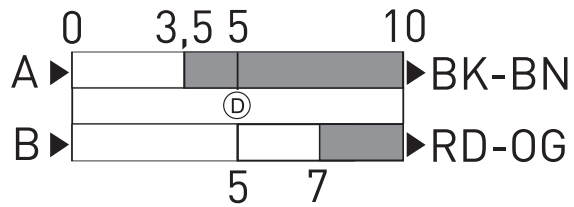


Foot switch with thermoplastic enclosure

KFS 1S D 1S-2m

Material number: 1049408 (Material number old: 88267002)

Switching diagram



Ⓧ Pressure point