



## Position switch EM 41 D 1Ö/1S

Material number: 1046438 (Material number old: 41121001)

### Features/Options:

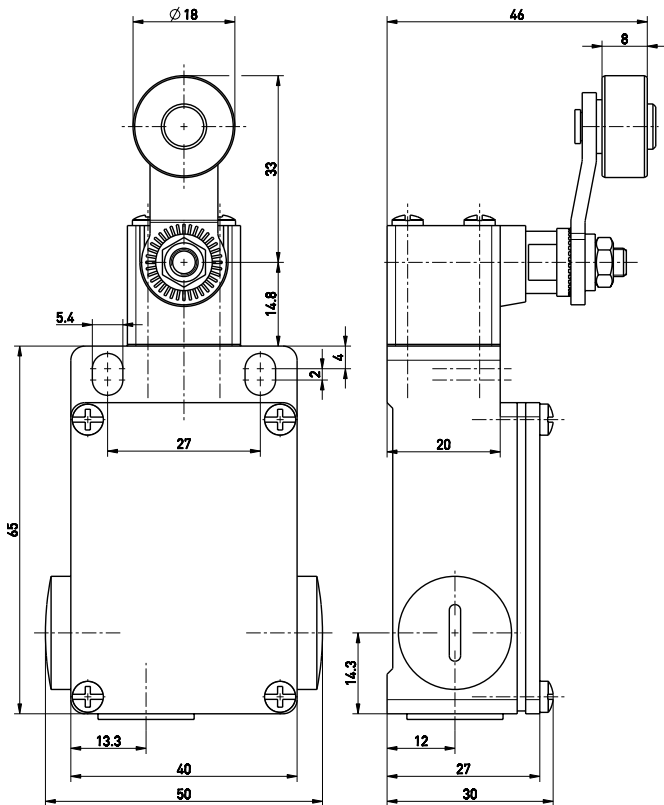
- Metal enclosure
- Snap action, change-over contact with double break
- 3 cable entries M16 x 1.5
- Actuator: Rocking lever D
- Actuating speed max. 0.5 m/s with a vertical actuating angle of 45°

- Wear-resistant plastic roller
- Lever can be repositioned in 10° steps clockwise or counter-clockwise
- Actuator can be repositioned by 180°

### Notes

- With metal roller available on request

### Dimensions



### Technical data

|   |   |
|---|---|
| Applied standards                         | EN 60947-5-1  |
| Enclosure                                 | aluminium die-cast, powder-coated                   |
| Degree of protection                      | IP 65 to IEC/EN 60529                               |
| Contact material                          | silver  |
| Switching system                          | snap action   |
| Switching elements                        | 1 NC/1 NO contact, type Zb                          |
| Connection                                | screw connection terminals                          |
| Cable cross-section                       | max. 2.5 mm <sup>2</sup> (incl. conductor ferrules) |
| Cable entry                               | 3 x M16 x 1.5                                       |
| Rated impulse withstand voltage $U_{imp}$ | 4 kV  |
| Rated insulation voltage $U_i$            | 400 V   |
| Conventional thermal current $I_{the}$    | 6 A   |
| Utilisation category                      | AC-15   |
| Rated operating current/voltage $I_e/U_e$ | 6 A/400 VAC   |
| Short-circuit protection                  | 6 A gG/gN fuse                                      |
| Mechanical life                           | > 1 million operations                              |
| Operation cycles                          | max. 3600/h   |
| Ambient temperature                       | -20 °C ... +80 °C                                   |
| Repeat accuracy of switching points       | ± 0.1 mm  |

### Approvals



Errors and omissions excepted.



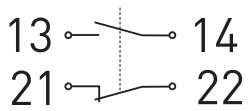
## Position switch EM 41 D 1Ö/1S

Material number: 1046438 (Material number old: 41121001)

### Technical data

Weight 210 g

### Contact diagram



### Switching diagram

