



## Position switch Extreme with safety function

### ES 98-11 +90°C IP69 Extreme

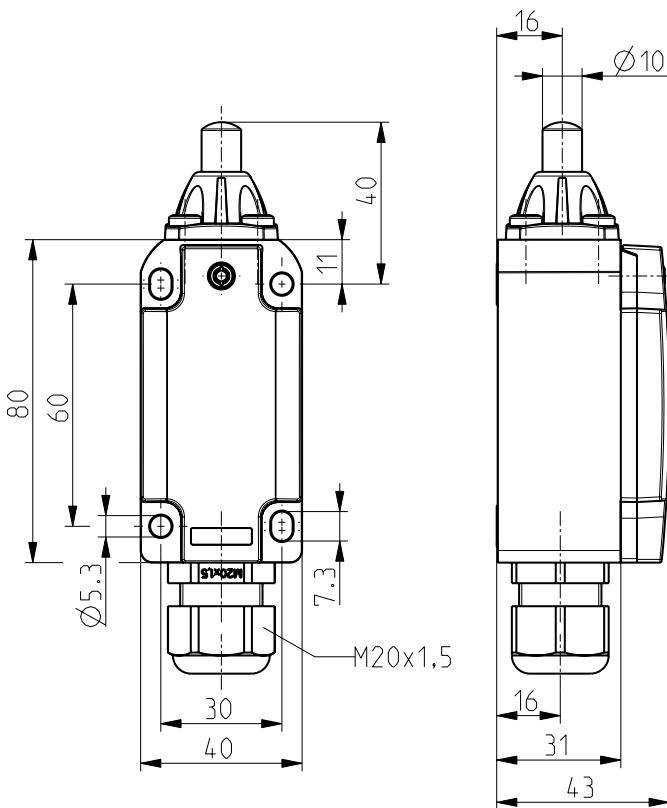
Material number: 1212085 (Material number old: 9100019002)

#### Features/Options:

- Heat-resistant up to +90 °C
- High degree of protection IP 69, IP 69K
- Metal enclosure
- Design to EN 50041
- Slow action  $\ominus$ , change-over contact with double break

- Actuator: Plunger
- Actuator type B to EN 50041
- Actuating speed max. 0.5 m/s with a vertical actuating angle of 0°

#### Dimensions



#### Technical data

Applied standards	EN ISO 13849-1, EN 60947-5-1, EN ISO 14119
Enclosure	aluminium die-cast, corrosion-resistant, powder-coated, anthracite grey, similar to RAL 7016
Cover	stainless steel 1.4401, powder-coated, signal yellow, similar to RAL 1003
Switch type	type 1
Coding level	no coding
Degree of protection	IP 66, IP 67, IP 69 (IEC/EN 60529) / IP 69K (ISO 20653)
B <sub>10d</sub> (10 % load)	2 million
T <sub>M</sub>	max. 20 years
Contact material	silver
Switching system	slow action, positive break NC contacts $\ominus$
Switching elements	1 NC/1 NO contact, type Zb
Connection	screw connection terminals
Cable cross-section	max. 2.5 mm <sup>2</sup> (incl. conductor ferrules)
Cable entry	1 x M20 x 1.5
Rated impulse withstand voltage U <sub>imp</sub>	4 kV
Rated insulation voltage U <sub>i</sub>	400 V
Conventional thermal current I <sub>the</sub>	6 A
Rated operating current/voltage I <sub>e</sub> /U <sub>e</sub>	6 A/250 VAC; 0.25 A/230 VDC; 3 A/24 VDC; 5 A/5 VDC
Utilisation category	AC-15; DC-13
Short-circuit protection	6 A gG/gN fuse

Errors and omissions excepted.



## Position switch Extreme with safety function

ES 98-11 +90°C IP69 Extreme

Material number: 1212085 (Material number old: 9100019002)

### Technical data

Mechanical life > 1 million operations

Operation cycles max. 1800/h

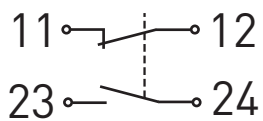
Ambient temperature -20 °C ... +90 °C

Approvals

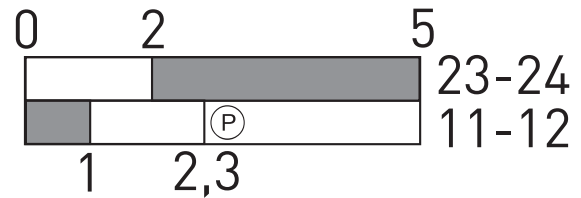


Weight 300 g

### Contact diagram



### Switching diagram



Ⓟ Positive break travel/angle