



Ex safety sensor

Ex RC Si M30 1Ö/1S-B IP69-NIRO 1m

Material number: 1186818 (Material number old: 23003105)

Features/Options:

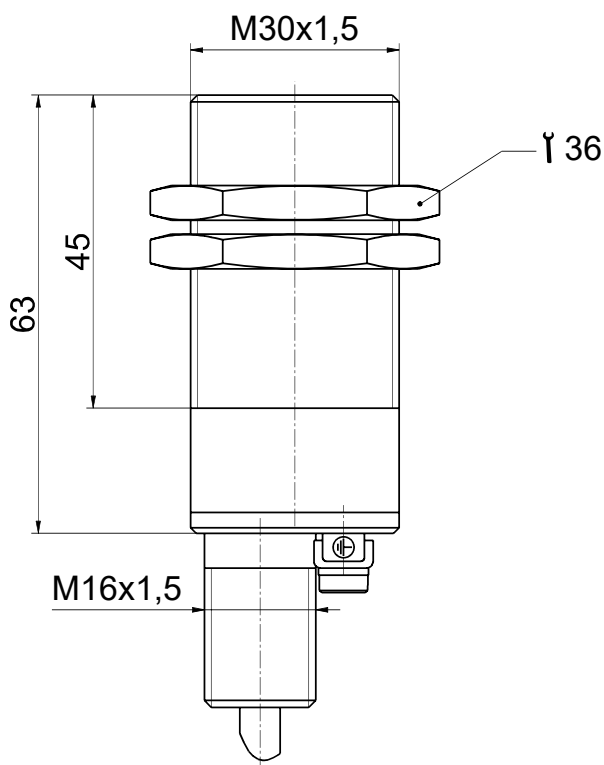
- Ex zone 1 and 21
- Stainless steel enclosure
- With mounting thread M16 x 1.5 for cable protection system
- Reed contacts, coded

- Actuation from front
- Switching distance up to 10 mm
- Attention: Please state required international approvals with your order!

Notes

- 2 mounting nuts are included in delivery
- The actuator is not included in the delivery of the switches

Dimensions



Technical data

| | |
|------------------------------|---|
| Applied standards | EN 60947-5-1, EN 60947-5-3, EN 60079-0, EN 60079-18, EN ISO 13849-1, EN ISO 14119 |
| Enclosure | stainless steel 1.4539 |
| Sensor type | type 4 interlocking device |
| Coding level | low coding |
| Tightening torque | mounting nut: max. 75 Nm |
| Degree of protection | IP 69 (IEC/EN 60529) / IP 69K (ISO 20653) |
| Safety-relevant data: | |
| EN ISO 13849-1 | Performance Level PL e |
| Category | 4 |
| B _{10d} (10 % load) | 20 million |
| T _M | max. 20 years |
| MTTF _d | > 100 years |
| DC/DC _{avg} | > 99 % |
| h _{op} | 8 h/day |
| d _{op} | 220 days/year |
| t _{zyklus} | 20 s |
| Note | The safety-related data are only valid in combination with a safety module, e.g. SRM 21 RT2 (mat. no. 1179203). |
| Switching system | reed contacts |
| Switching elements | 1 NC/1 NO contact |
| Connection | cable H05VV5-F 5G |

Errors and omissions excepted.



Ex safety sensor

Ex RC Si M30 1Ö/1S-B IP69-NIRO 1m

Material number: 1186818 (Material number old: 23003105)

Technical data

| | |
|---|---|
| Cable cross-section | 5 x 0.5 mm ² |
| Cable length | 1 m |
| Switching voltage | max. 30 VAC/DC |
| Rated operating current/ voltage I_e/U_e | max. 125 mA / 24 VDC |
| Switching capacity | max. 3.75 W |
| Voltage drop at I_e | max. 2.5 V |
| Short-circuit current I_k | max. 750 mA for 50 ms |
| Operation cycles | max. 1600/h |
| Rated switching distance s_n | 10 mm |
| Assured switching distance »ON« s_{ao} | 8 mm |
| Assured switching distance »OFF« s_{ar} | 30 mm |
| Repeatability | ± 0.5 mm |
| Hysteresis | approx. 14 mm |
| Temperature class | T6 |
| Ambient temperature | -20 °C ... +70 °C |
| Mechanical life | > 10 million operations |
| Impact energy | max. 7 J |
| Ex marking | II 2G Ex mb IIC T6 Gb, II 2D Ex mb IIIC T80°C Db IP67 IECEX Ex mb IIC T6 Gb, Ex mb IIIC T80°C Db IP67 |
| Approvals | PTB 05 ATEX 2024 X IECEX PTB 07.0008 X |
| Weight | 290 g |

Errors and omissions excepted.

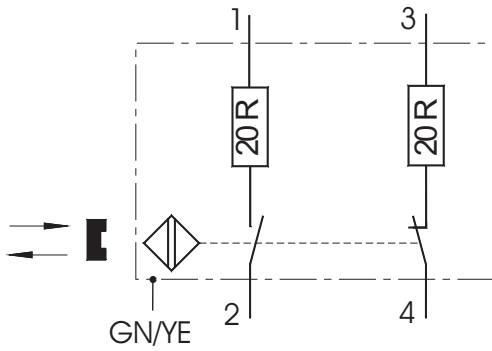


Ex safety sensor

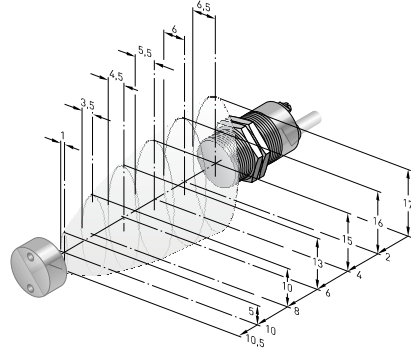
Ex RC Si M30 1Ö/1S-B IP69-NIRO 1m

Material number: 1186818 (Material number old: 23003105)

Contact diagram



Axial misalignment



Errors and omissions excepted.