



## Slack-wire switch

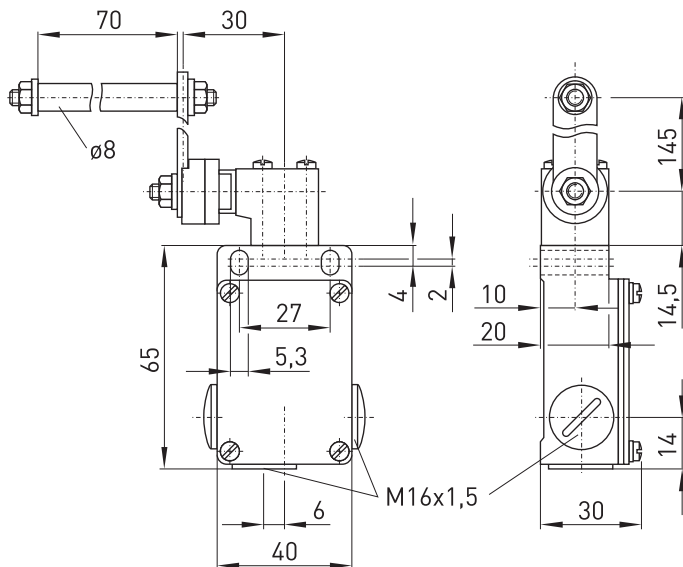
ES 41 DB/90° 2Ö - 70 mm

Material number: 1186577 (Material number old: 41521907)

### Features/Options:

- Metal enclosure
- Slow action: 2 contacts
- Actuating roller: 70 mm long

### Dimensions



### Technical data

Applied standards	EN 60947-5-1
Enclosure	aluminium die-cast, powder-coated
Cover	steel, powder-coated
Degree of protection	IP 65 to IEC/EN 60529
Contact material	silver
Switching elements	2 NC contacts, type Zb
Switching system	slow action
Connection	screw connection terminals
Cable cross-section	max. 2.5 mm <sup>2</sup> (incl. conductor ferrules)
Cable entry	3 x M16 x 1.5
Rated impulse withstand voltage $U_{imp}$	4 kV
Rated insulation voltage $U_i$	400 V
Conventional thermal current $I_{the}$	6 A
Utilisation category	AC-15
Rated operating current/voltage $I_e/U_e$	6 A/400 VAC
Short-circuit protection	6 A gG/gN fuse
Ambient temperature	-20 °C ... +80 °C
Mechanical life	> 1 million operations
Operation cycles	max. 1800/h
Approvals	<b>ERC</b>
Weight	268 g

Errors and omissions excepted.

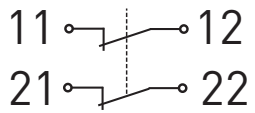


## Slack-wire switch

ES 41 DB/90° 2Ö - 70 mm

Material number: 1186577 (Material number old: 41521907)

Contact diagram



Switching diagram

