

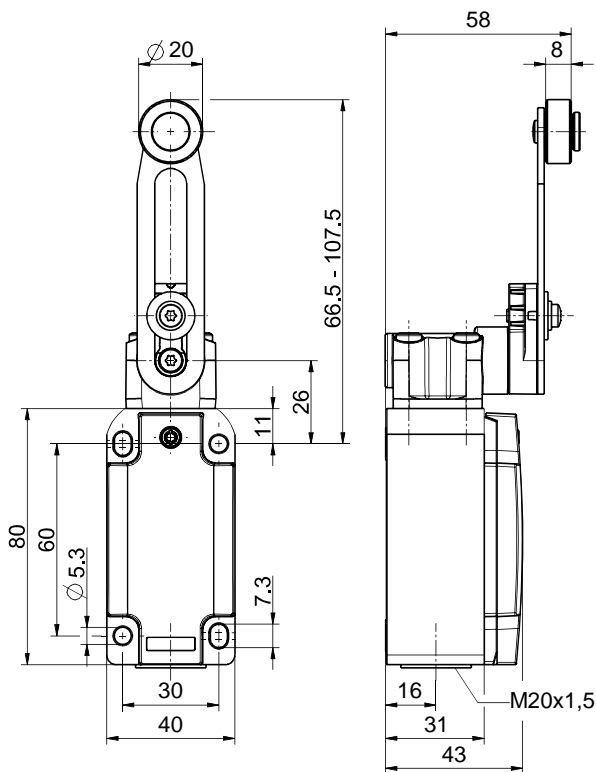


Position switch Extreme
ES 98 DS-12 -40°C IP66 Extreme
 Material number: 1305199 (Material number old: 9103299001)

Features/Options:

- Cold-resistant down to -40 °C
- High degree of protection IP 66
- Metal enclosure
- Design to EN 50041
- Slow action \ominus , 2 NC/1 NO contact with double break
- Actuator: Adjustable rocking lever DS
- Actuating speed max. 2.5 m/s with a vertical actuating angle of 30°
- Wear-resistant plastic roller
- Actuator can be repositioned by 4 x 90°
- Lever angle adjustable in 10° steps

Dimensions



Technical data

Applied standards	EN 60947-5-1
Enclosure	aluminium die-cast, corrosion-resistant, powder-coated, anthracite grey, similar to RAL 7016
Cover	stainless steel 1.4401, powder-coated, signal yellow, similar to RAL 1003
Degree of protection	IP 66/67 to IEC/EN 60529
Contact material	silver
Switching system	slow action
Switching elements	2 NC/1 NO contact, type Zb
Connection	screw connection terminals
Cable cross-section	max. 1.5 mm ² (incl. conductor ferrules)
Cable entry	1 x M20 x 1.5
Rated impulse withstand voltage U_{imp}	4 kV
Rated insulation voltage U_i	400 V
Conventional thermal current I_{the}	1.5 A
Rated operating current/voltage I_e/U_e	1.5 A/230 VAC; 0.27 A/250 VDC
Utilisation category	AC-15; DC-13
Short-circuit protection	1.5 A gG/gN fuse
Mechanical life	> 1 million operations
Operation cycles	max. 1800/h
Ambient temperature	-40 °C ... +60 °C

Approvals



Errors and omissions excepted.



Position switch Extreme

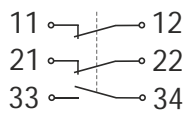
ES 98 DS-12 -40°C IP66 Extreme

Material number: 1305199 (Material number old: 9103299001)

Technical data

Weight 340 g

Contact diagram



Switching diagram

