



## Position switch with safety function

### ES 14 FR 1Ö/1S - 2m

Material number: 1189131 (Material number old: 14051006)

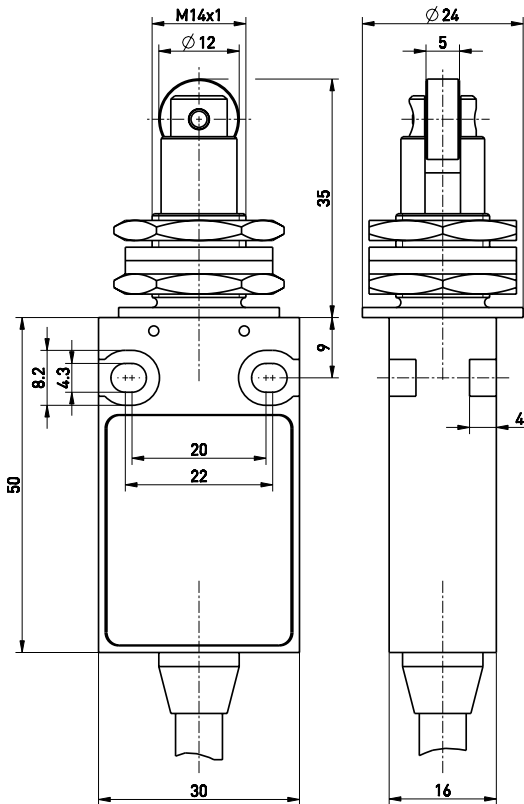
#### Features/Options:

- Thermoplastic enclosure
- Double insulated
- Mounting details to EN 50047
- With pre-wired cable
- Actuator: Roller plunger for front mounting FR
- Actuating speed max. 0.5 m/s with a vertical actuating angle of 25°
- Metal roller

#### Notes

- Actuator can be repositioned by 90° on request

#### Dimensions



#### Technical data

|  |   |
|--|---|
| Applied standards  | EN ISO 13849-1, EN 60947-5-1, EN ISO 14119  |
| Enclosure  | thermoplastic, glass-fibre reinforced, impact resistant, self-extinguishing UL 94 V-0 |
| Switch type  | type 1  |
| Coding level   | no coding   |
| Degree of protection   | IP 67 to IEC/EN 60529   |
| B <sub>10d</sub> (10 % load)                                   | 2 million   |
| T <sub>M</sub>   | max. 20 years   |
| Contact material   | silver  |
| Switching system   | slow action, positive break NC contacts $\ominus$                                     |
| Switching elements   | 1 NC/1 NO contact, type Zb  |
| Connection   | pre-wired cable H05VV-F   |
| Cable cross-section  | 4 x 0.75 mm <sup>2</sup>  |
| Rated impulse withstand voltage U <sub>imp</sub>               | 4 kV  |
| Rated insulation voltage U <sub>i</sub>                        | 250 V   |
| Conventional thermal current I <sub>the</sub>                  | 6 A   |
| Rated operating current/voltage I <sub>e</sub> /U <sub>e</sub> | 6 A/250 VAC; 0.25 A/230 VDC   |
| Utilisation category   | AC-15; DC-13  |
| Short-circuit protection                                       | 6 A gG/gN fuse  |
| Ambient temperature  | -20 °C ... +75 °C   |
| Mechanical life  | > 1 million operations  |
| Operation cycles   | max. 1800/h   |

Errors and omissions excepted.



## Position switch with safety function

ES 14 FR 1Ö/1S - 2m

Material number: 1189131 (Material number old: 14051006)

### Technical data

Repeat accuracy of switching points  $\pm 0.1$  mm

Contact opening max. 2 x 4 mm

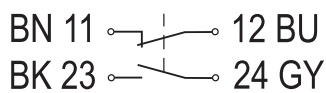
Approvals



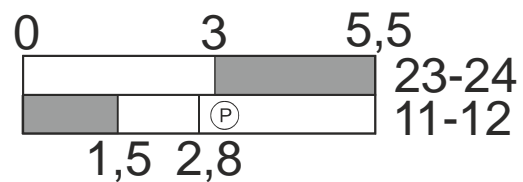
Cable length 2 m

Weight 235 g

### Contact diagram



### Switching diagram



Ⓟ Positive break travel/angle