

## Accessories for STM 295 / Ex STM 295 Flexible actuator STM 295-B6 Material number: 1435030

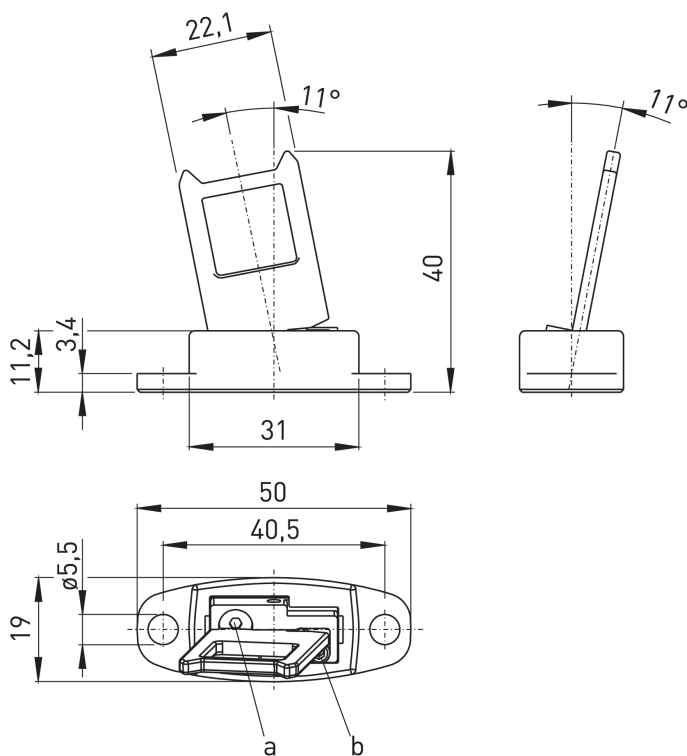
### Features/Options:

- Especially suitable for hinged guards
- Actuating radius adjustable, min. 100 mm, using a hexagonal key wrench (a or b)

### Notes

- 3 slot sealing plugs are included in delivery

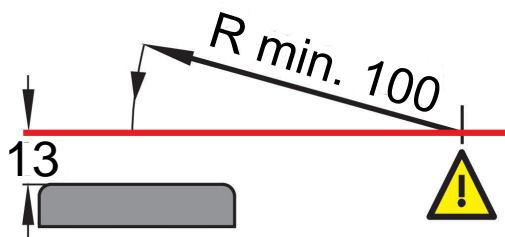
### Dimensions



### Technical data

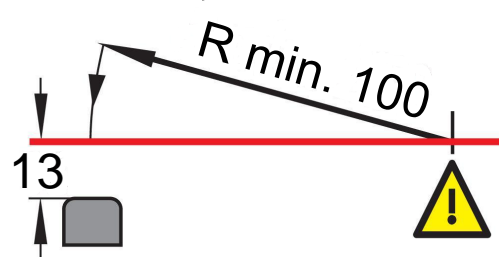
Weight	40 g
--------	------

### Actuating radius wide edge



Attention! 13 mm must be referred to the surface of the enclosure and not to the inserted actuator!

### Actuating radius narrow edge



Attention! 13 mm must be referred to the surface of the enclosure and not to the inserted actuator!

Errors and omissions excepted.