



## Multi-function handle

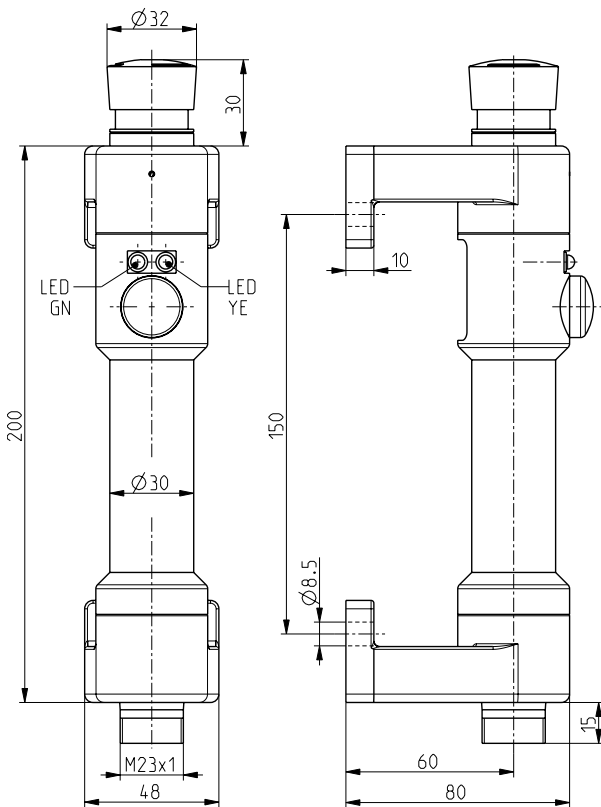
### TG-ÖS GY 2Ö x

Material number: 1051709 (Material number old: 97155902)

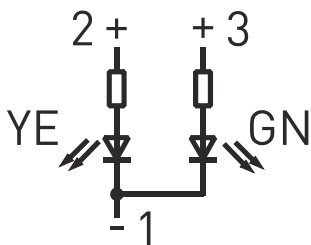
#### Features/Options:

- Thermoplastic handle
- Long life
- Emergency-stop push button to EN 60947-5-5: 2-channel ☹
- Green and yellow LED
- Black enabling push button: 1 NC/1 NO contact
- With plug-in connector M23 x 1, 12-pole

#### Dimensions



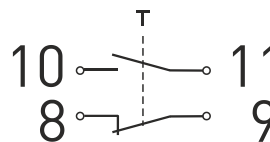
#### Contact diagram LEDs



#### Technical data

Applied standards	EN 60947-5-1, EN 60947-5-5
Enclosure	POM, glass-fibre reinforced, impact resistant
Degree of protection	IP 65 to IEC/EN 60529
$B_{10d}$ (10 % load)	100 000
$T_M$	max. 20 years
Connection	Plug-in connector, A-coded
Rated operating current/voltage $I_e/U_e$	0.6 A/115 VAC LEDs: 10 mA/24 VDC
Rated insulation voltage $U_i$	115 VAC
Degree of pollution	3
Mechanical life	> 50 000 operations
Ambient temperature	-25 °C ... +55 °C
Weight	385 g

#### Contact diagram enabling push-button



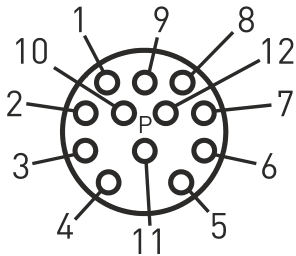


## Multi-function handle

TG-ÖS GY 2Ö x

Material number: 1051709 (Material number old: 97155902)

Plug-in configuration (view from plug side)



Contact diagram emergency-stop push-button

