



## Emergency pull-wire switch Extreme ZS 92 S 22 VD L F -40°C ... +80°C IP66/67 Extreme Material number: 1277146

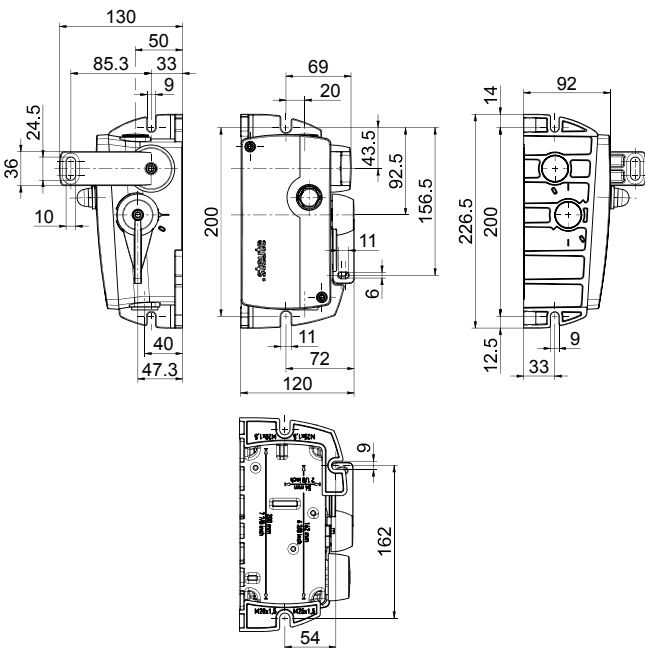
### Features/Options:

- Temperature resistant from -40 °C to +80 °C
- High degree of protection IP 66 / IP 67
- Corrosion-resistant aluminium enclosure
- Screws made of stainless steel
- Wire length up to 2 x 100 m
- Release by lever
- F = Reset lever at the front side
- Back and base mounting possible
- Wire pull and breakage detection
- Indicator lamp 24 VAC/DC (red)

### Notes

- At 3 m distance intermediate wire supports are required. Two compensation springs type ZS 90/91/92 S must be installed, see accessories.

### Dimensions



### Technical data


Applied standards	EN 60947-5-1, EN 60947-5-5, EN ISO 13850, EN ISO 13849-1, EN 620:2011-5.7.2.9, AS 1755-2000-2.7.9.1, AS/NZS 4024.3610:2015-2.10.6.2
Enclosure	aluminium die-cast, corrosion-resistant, powder-coated, passivated, shock-proof, anthracite grey, similar to RAL 7016
Cover	aluminium die-cast, corrosion-resistant, powder-coated, passivated, shock-proof, signal yellow, similar to RAL 1003
Actuating lever	aluminium die-cast, corrosion-resistant, powder-coated, passivated, shock-proof, signal red, similar to RAL 3001
Reset lever	aluminium die-cast, corrosion-resistant, powder-coated, passivated, shock-proof, sky blue, similar to RAL 5015
Screws	stainless steel
Calotte	polycarbonate, impact resistant, self-extinguishing UL 94 V-0, red transparent, similar to RAL 3000
Tightening torque	cover screws: max. 2.5 Nm actuator screws: max. 6 Nm
Degree of protection	IP 66/67 to IEC/EN 60529
B <sub>10d</sub> (10 % load)	100 000
T <sub>M</sub>	max. 20 years
Contact material	silver

Errors and omissions excepted.



## Emergency pull-wire switch Extreme ZS 92 S 22 VD L F -40°C ... +80°C IP66/67 Extreme Material number: 1277146

### Technical data

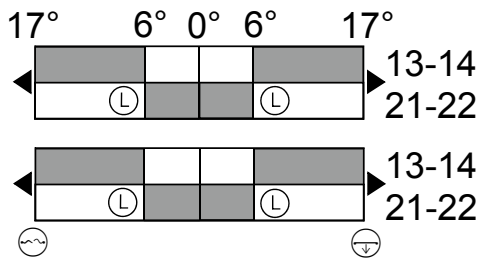
Switching system	snap action, positive break NC contacts $\ominus$
Switching elements	2 NC/2 NO contacts, type Zb
Connection	screw connection terminals indicator lamp: wire 2 x 0.9 mm <sup>2</sup> , AWG 18, wire length approx. 150 mm, with conductor ferrules
Cable cross-section	0.5 ... 2.5 mm <sup>2</sup> (incl. conductor ferrules)
Cable entry	2 x M25 x 1.5
Rated impulse withstand voltage $U_{imp}$	6 kV
Rated insulation voltage $U_i$	400 V
Conventional thermal current $I_{the}$	6 A
Conditional short-circuit current	1100 A
Rated operating current/voltage $I_e/U_e$	6 A/400 VAC
Utilisation category	AC-15
Short-circuit protection	6 A gG/gN fuse
Rated operating voltage range $U_B$	Indicator lamp: 24 VAC/DC +10/-15 %
Rated operating current $I_e$	Indicator lamp: ~ 15 mA
Mechanical life	> 50 000 operations
Max. wire length	2 x 100 m
Ambient temperature	-40 °C ... +80 °C
Degree of pollution	3
Actuating force	actuating lever approx. 30 N; reset lever approx. 40 N
Approvals	
Weight	2210 g

Errors and omissions excepted.



## Emergency pull-wire switch Extreme ZS 92 S 22 VD L F -40°C ... +80°C IP66/67 Extreme Material number: 1277146

### Switching diagram



- Ⓛ Latching point
- Ⓜ Wire breakage detection
- Ⓣ Wire pull detection

### Contact diagram

