



## Safety sensor Extreme RC Si 56 1Ö/1S - 10m - IP69 Extreme Material number: 1482241

### Features/Options:

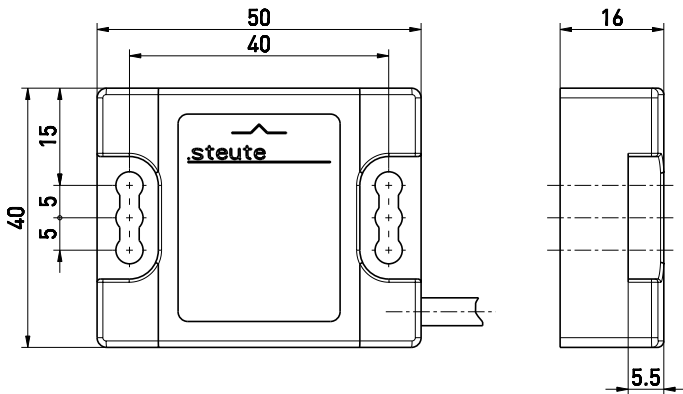
- Version with higher degree of protection IP 69: suitable for cleaning with 80 °C hot water at 100 bar pressure at a distance of 100 mm from different directions
- Thermoplastic enclosure
- Long life
- Reed contacts, coded

- Actuation from front
- Switching distance up to 6 mm
- With pre-wired cable
- Attention: Please state required international approvals with your order!

### Notes

- The actuator is not included in the delivery of the switches

### Dimensions



### Technical data

|   |   |
|---|---|
| Applied standards                         | EN 60947-5-1, EN 60947-5-3, EN ISO 13849-1, EN ISO 14119  |
| Enclosure                                 | thermoplastic, glass-fibre reinforced, impact resistant, self-extinguishing UL 94 V-0                           |
| Sensor type                               | type 4 interlocking device  |
| Coding level                              | low coding  |
| Degree of protection                      | IP 66, IP 67, IP 69 (IEC/EN 60529) / IP 69K (ISO 20653)   |
| Safety-relevant data:                     |   |
| EN ISO 13849-1                            | Performance Level PL e  |
| Category                                  | 4   |
| $B_{10d}$ (10 % load)                     | 2 million   |
| $T_M$                                     | max. 20 years   |
| $MTTF_d$                                  | > 100 years   |
| DC/DC <sub>avg</sub>                      | > 99 %  |
| Note                                      | The safety-related data are only valid in combination with a safety module, e.g. SRM 21 RT2 (mat. no. 1179203). |
| Switching system                          | reed contacts   |
| Switching elements                        | 1 NC/1 NO contact   |
| Connection                                | pre-wired cable 4 x AWG 24  |
| Cable length                              | 10 m  |
| Switching voltage                         | max. 30 VDC   |
| Rated operating current/voltage $I_e/U_e$ | max. 157 mA / 24 VDC  |

Errors and omissions excepted.

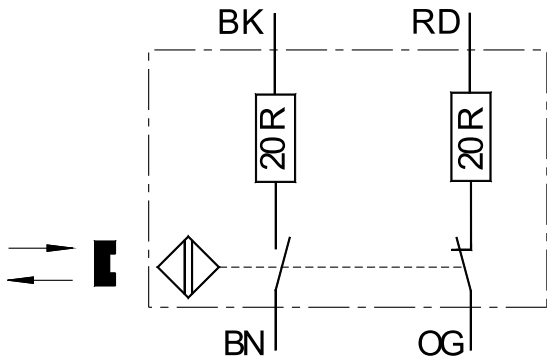


## Safety sensor Extreme RC Si 56 1Ö/1S - 10m - IP69 Extreme Material number: 1482241

### Technical data

|  |                        |
|--|------------------------|
| Utilisation category                         | DC-12                  |
| Voltage drop at $I_e$                        | max. 3.15 V            |
| Short-circuit current $I_k$                  | max. 750 mA for 50 ms  |
| Switching frequency                          | max. 5 Hz              |
| Assured switching distance<br>»OFF« $s_{ar}$ | > 23 mm                |
| Repeatability                                | ± 0.5 mm               |
| Hysteresis                                   | min. 23 mm             |
| Degree of pollution                          | 3                      |
| Safety class                                 | II                     |
| Ambient temperature                          | -20 °C ... +85 °C      |
| Mechanical life                              | > 1 million operations |
| Approvals                                    |                        |

### Contact diagram



### Axial misalignment

