



## Position switch with safety function

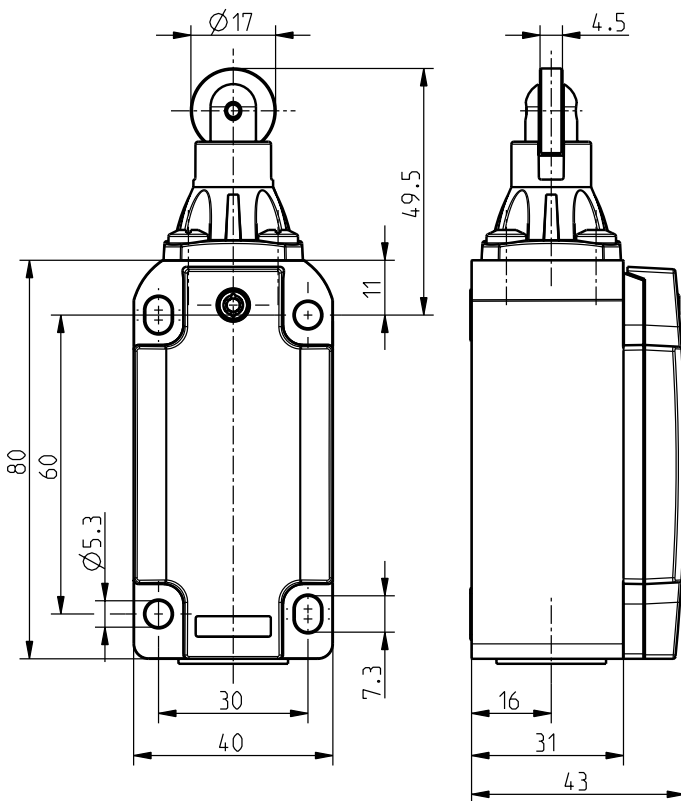
EM 98 R-12

Material number: 1190309 (Material number old: 9106090001)

### Features/Options:

- Metal enclosure
- Design to EN 50041
- Snap action, 2 NC/1 NO contact with double break
- Wiring compartment
- Actuator: Roller plunger R
- Actuator type C to EN 50041
- Actuating speed max. 0.5 m/s with a vertical actuating angle of 30°
- Actuator can be repositioned by 4 x 90°

### Dimensions



### Technical data

Applied standards	EN ISO 13849-1, EN 60947-5-1, EN ISO 14119
Enclosure	aluminium die-cast, powder-coated
Switch type	type 1
Coding level	no coding
Degree of protection	IP 67 to IEC/EN 60529
$B_{10d}$ (10 % load)	2 million
$T_M$	max. 20 years
Contact material	silver
Switching system	snap action, positive break NC contacts $\ominus$
Switching elements	2 NC/1 NO contact, type Zb
Connection	screw connection terminals
Cable cross-section	max. 1.5 mm <sup>2</sup> (incl. conductor ferrules)
Cable entry	1 x M20 x 1.5
Rated impulse withstand voltage $U_{imp}$	4 kV
Rated insulation voltage $U_i$	400 V
Conventional thermal current $I_{the}$	1.5 A
Rated operating current/voltage $I_e/U_e$	1.5 A/230 VAC; 0.27 A/250 VDC
Utilisation category	AC-15; DC-13
Short-circuit protection	1.5 A gG/gN fuse
Mechanical life	> 1 million operations
Operation cycles	max. 1800/h
Ambient temperature	-20 °C ... +80 °C

Errors and omissions excepted.



## Position switch with safety function

EM 98 R-12

Material number: 1190309 (Material number old: 9106090001)

### Technical data

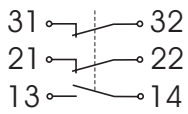
#### Approvals



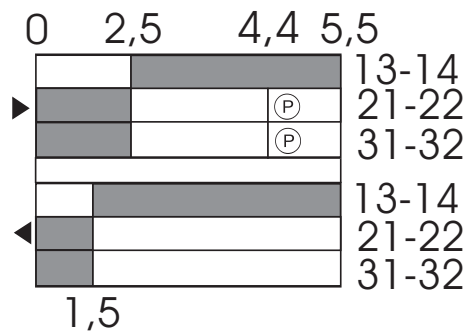
Weight

220 g

### Contact diagram



### Switching diagram



(P) Positive break travel/angle