



Ex position switch Ex ES 97 DS-11U -60°C Material number: 1225938

Features/Options:

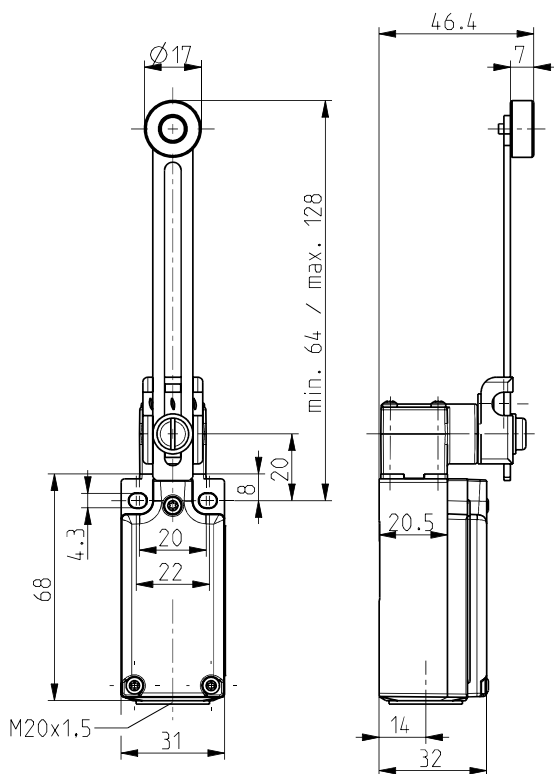
- Ex zone 1 and 21
- Thermoplastic enclosure
- Cold-resistant down to -60 °C
- High degree of protection IP 66 / IP 67 / IP 69
- Design to EN 50047

- Wiring compartment
- Double insulated
- Actuator: Adjustable rocking lever DS

Notes

- 1 Ex"e" cable gland M20x1.5 included in delivery

Dimensions



Technical data


| | |
|----------------------|--|
| Applied standards | EN 60947-5-1, EN 60079-0, EN 60079-1, EN 60079-7, EN 60079-31 |
| Enclosure | thermoplastic, glass-fibre reinforced, impact resistant, self-extinguishing UL 94 V-0 |
| Cover | thermoset, glass-fibre reinforced, impact resistant, self-extinguishing UL 94 V-0 |
| Sealing | silicone |
| Tightening torque | cover screws: 0.4 ... 0.45 Nm connecting thread of cable gland: max. 2 Nm cap nut of cable gland: max. 5 Nm |
| Degree of protection | IP 66 to EN 60079-0 + IEC/EN 60529 (... -60 °C) IP 67 to EN 60079-0 + IEC/EN 60529 (... -20 °C) IP 67 / IP 69 to IEC/EN 60529 IP 69K to ISO 20653 |
| Switch insert | 1 x 8080/1-5 |
| Contact material | Silver, nickel-plated |
| Switching system | slow action |
| Switching elements | 1 NC/1 NO contact with contact overlapping, type Zb |
| Connection | screw connection terminals |
| Cable cross-section | min. 0,75 mm ² / AWG 18, max. 1,5 mm ² / AWG 16, incl. conductor ferrules |
| Cable entry | M20 x 1,5; screwing depth max. 9 mm; use only Ex approved and certified cable glands with min. degree of protection IP 66 and suitable for the specified ambient temperature range |

Errors and omissions excepted.

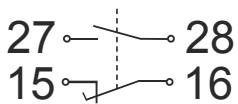


Ex position switch
 Ex ES 97 DS-11U -60°C
 Material number: 1225938

Technical data

| | |
|-------------------------------|---|
| Clamping range | 7 ... 12 mm |
| Utilisation category | AC-15 |
| Rated operating current I_e | max. 2 A or 4 A <input type="checkbox"/> |
| Rated operating voltage U_e | max. 500 VAC, max. 250 VAC for unequal potential |
| Degree of pollution | 3 |
| Mechanical life | > 1 million operations |
| Impact energy | max. 7 J |
| Temperature class | T6 |
| Ambient temperature | -60 °C ... +55 °C max. 4 A, +60 °C max. 2 A |
| Short-circuit protection | 2 A / 4 A gG/gN fuse |
| Ex marking | <p>⊕ II 2G Ex db eb IIC T6 Gb, ⊕ II 2D Ex tb IIIC T80 °C Db IECEx Ex db eb IIC T6 Gb, Ex tb IIIC T80 °C Db</p> |
| Approvals | <p>BVS 16 ATEX E 052 IECEx BVS 16.0052</p>  |
| Weight | 180 g |

Contact diagram



Switching diagram

