



Position switch Extreme with safety function

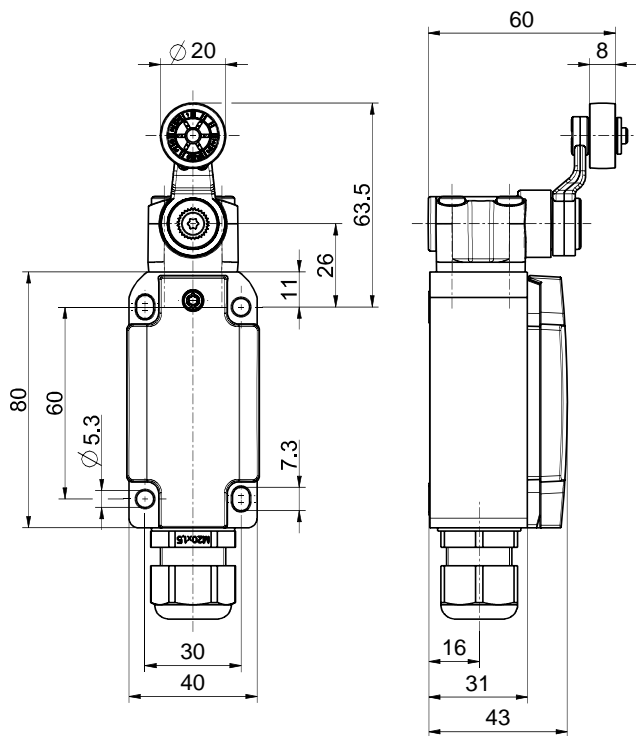
EM 98 D-12 +90°C IP69 Extreme

Material number: 1301013 (Material number old: 9106219002)

Features/Options:

- Heat-resistant up to +90 °C
- High degree of protection IP 69, IP 69K
- Metal enclosure
- Design to EN 50041
- Snap action, 2 NC/1 NO contact with double break
- Actuator: Rocking lever D
- Actuator type A to EN 50041
- Actuating speed max. 2.5 m/s with a vertical actuating angle of 30°
- Wear-resistant plastic roller
- Actuator can be repositioned by 4 x 90°
- Lever angle adjustable in 10° steps

Dimensions



Technical data

Applied standards	EN ISO 13849-1, EN 60947-5-1, EN ISO 14119
Enclosure	aluminium die-cast, corrosion-resistant, powder-coated, anthracite grey, similar to RAL 7016
Cover	stainless steel 1.4401, powder-coated, signal yellow, similar to RAL 1003
Switch type	type 1
Coding level	no coding
Degree of protection	IP 66, IP 67, IP 69 (IEC/EN 60529) / IP 69K (ISO 20653)
B _{10d} (10 % load)	2 million
T _M	max. 20 years
Contact material	silver
Switching system	snap action, positive break NC contacts ⊖
Switching elements	2 NC/1 NO contact, type Zb
Connection	screw connection terminals
Cable cross-section	max. 1.5 mm ² (incl. conductor ferrules)
Cable entry	1 x M20 x 1.5
Rated impulse withstand voltage U _{imp}	4 kV
Rated insulation voltage U _i	400 V
Conventional thermal current I _{the}	1.5 A
Rated operating current/voltage I _e /U _e	1.5 A/230 VAC; 0.27 A/250 VDC
Utilisation category	AC-15; DC-13

Errors and omissions excepted.



Position switch Extreme with safety function

EM 98 D-12 +90°C IP69 Extreme

Material number: 1301013 (Material number old: 9106219002)

Technical data

Short-circuit protection 1.5 A gG/gN fuse

Mechanical life > 1 million operations

Operation cycles max. 1800/h

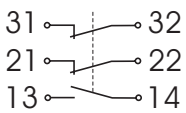
Ambient temperature -20 °C ... +90 °C

Approvals

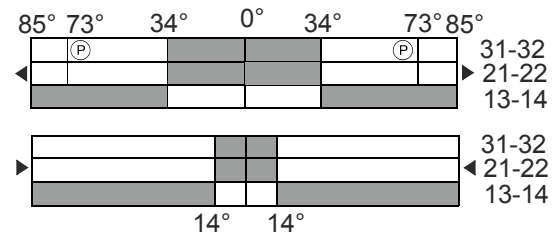


Weight 380 g

Contact diagram



Switching diagram



Ⓟ Positive break travel/angle