



Foot switch with thermoplastic enclosure

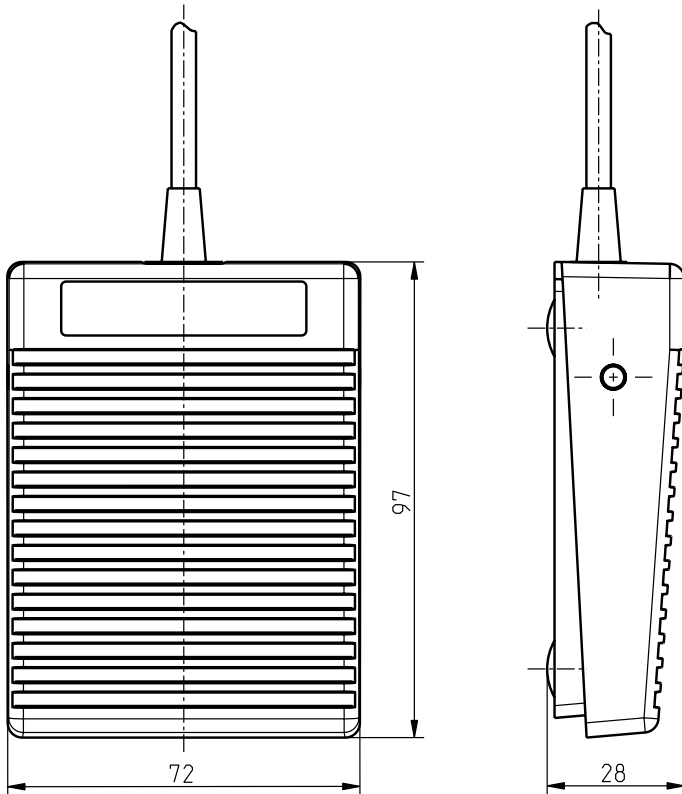
KF HS 4-20 mA-2m

Material number: 1049347 (Material number old: 88183003)

Features/Options:

- With Hall sensor: Analogue output
- Thermoplastic enclosure
- Small flat design
- With pre-wired cable
- Output value: 4 ... 20 mA
- Analogue output signal proportional to pedal travel

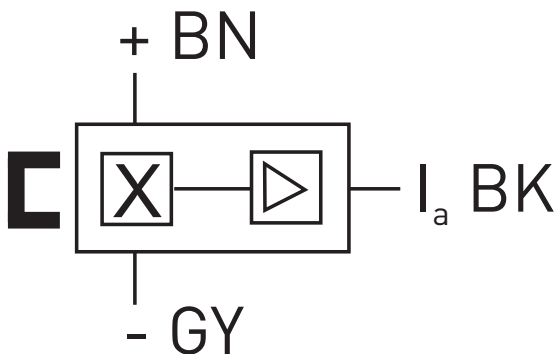
Dimensions



Technical data

Applied standards	EN 60947-5-1
Enclosure	thermoplastic, glass-fibre reinforced, impact resistant, self-extinguishing UL 94 V-0
Pedal	thermoplastic, glass-fibre reinforced, impact resistant, self-extinguishing UL 94 V-0
Degree of protection	IP 65 to IEC/EN 60529
Connection	pre-wired cable H03VV-F
Cable length	2 m
Cable diameter	5.9 mm
Cable cross-section	3 x 0.5 mm ²
Switching system	Hall sensor with analogue output
Output current I_a	4...20 mA \pm 1 %
Rated operating current/voltage I_e/U_e	45 mA/15 ... 30 VDC
Ambient temperature	-10 °C ... +60 °C
Mechanical life	> 1 million operations
Approvals	ERC
Weight	240 g

Switching diagram



Errors and omissions excepted.