



## Position switch with safety function

### ES 51 KU 1Ö/1S

Material number: 1047008 (Material number old: 51003001)

#### Features/Options:

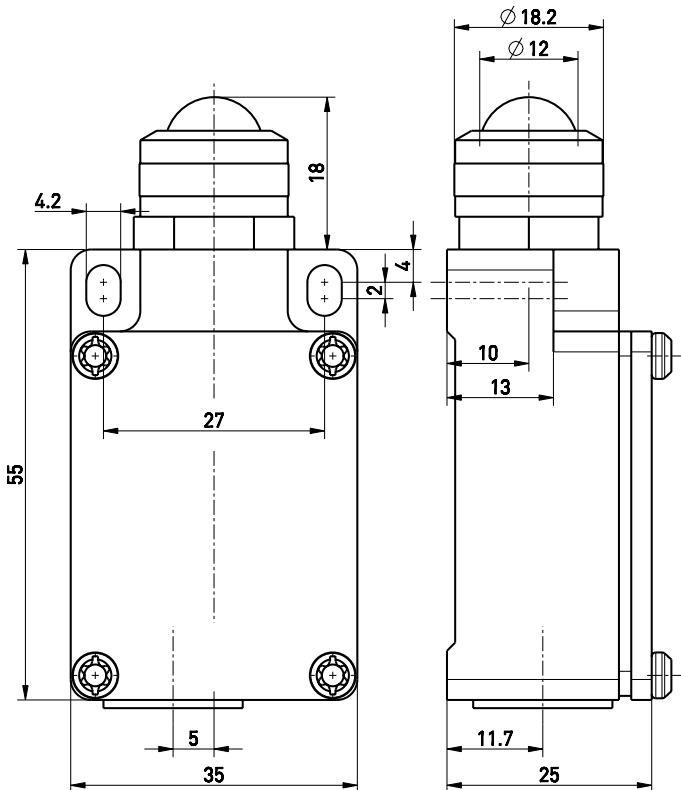
- Metal enclosure
- Slow action  $\ominus$ , change-over contact with double break
- 1 cable entry M16 x 1.5
- Actuator: Ball plunger KU
- Actuating speed max. 0.5 m/s with a vertical actuating angle of 20°

- Vertical actuation or actuation from side possible
- Actuator with captive stainless steel ball
- Exact repeatability of switching point

#### Notes

- When used as safety switch, secure the enclosure against slipping with appropriate means, e.g. pinning.

#### Dimensions



#### Technical data

Applied standards	EN ISO 13849-1, EN 60947-5-1, EN ISO 14119
Enclosure	aluminium die-cast, powder-coated
Switch type	type 1
Coding level	no coding
Degree of protection	IP 65 to IEC/EN 60529
B <sub>10d</sub> (10 % load)	2 million
T <sub>M</sub>	max. 20 years
Contact material	silver
Switching system	slow action, positive break NC contacts $\ominus$
Switching elements	1 NC/1 NO contact, type Zb
Connection	screw connection terminals
Cable cross-section	max. 1.5 mm <sup>2</sup> (incl. conductor ferrules)
Cable entry	1 x M16 x 1.5
Rated impulse withstand voltage U <sub>imp</sub>	4 kV
Rated insulation voltage U <sub>i</sub>	400 V
Conventional thermal current I <sub>the</sub>	4 A
Utilisation category	AC-15
Rated operating current/voltage I <sub>e</sub> /U <sub>e</sub>	4 A/400 VAC
Short-circuit protection	4 A gG/gN fuse

Errors and omissions excepted.



## Position switch with safety function

ES 51 KU 1Ö/1S

Material number: 1047008 (Material number old: 51003001)

### Technical data

Mechanical life > 1 million operations

Operation cycles max. 3600/h

Ambient temperature -20 °C ... +80 °C

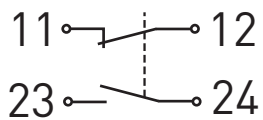
Repeat accuracy of switching points  $\pm 0.1$  mm

Approvals



Weight 130 g

### Contact diagram



### Switching diagram



Ⓟ Positive break travel/angle