



## Emergency pull-wire switch Extreme ZS 92 S 22 VD B -40°C ... +85°C IP66/67 Extreme Material number: 1456669

### Features/Options:

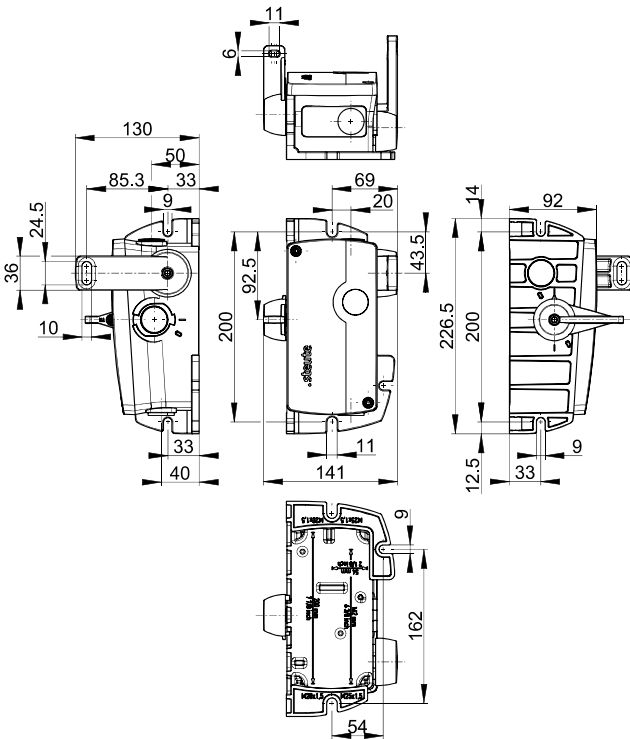
- Temperature resistant from -40 °C to +85 °C
- High degree of protection IP 66 / IP 67 / IP 69
- Corrosion-resistant aluminium enclosure
- Screws made of stainless steel
- Wire length up to 2 x 100 m

- Release by lever
- B = Reset lever at the back side
- Back and base mounting possible
- Wire pull and breakage detection

### Notes

- At 3 m distance intermediate wire supports are required. Two compensation springs type ZS 90/91/92 S must be installed, see accessories.

### Dimensions



### Technical data

Applied standards	EN 60947-5-1, EN 60947-5-5, EN ISO 13850, EN ISO 13849-1, EN 620:2011-5.7.2.9, AS 1755-2000-2.7.9.1, AS/NZS 4024.3610:2015-2.10.6.2
Enclosure	aluminium die-cast, corrosion-resistant, powder-coated, passivated, shock-proof, anthracite grey, similar to RAL 7016
Cover	aluminium die-cast, corrosion-resistant, powder-coated, passivated, shock-proof, signal yellow, similar to RAL 1003
Actuating lever	aluminium die-cast, corrosion-resistant, powder-coated, passivated, shock-proof, signal red, similar to RAL 3001
Reset lever	aluminium die-cast, corrosion-resistant, powder-coated, passivated, shock-proof, sky blue, similar to RAL 5015
Screws	stainless steel
Tightening torque	cover screws: max. 2.5 Nm actuator screws: max. 6 Nm
Degree of protection	IP 66/67/69 to IEC/EN 60529
B <sub>10d</sub> (10 % load)	100 000
T <sub>M</sub>	max. 20 years
Contact material	silver
Switching system	snap action, positive break NC contacts $\ominus$
Switching elements	2 NC/2 NO contacts, type Zb

Errors and omissions excepted.

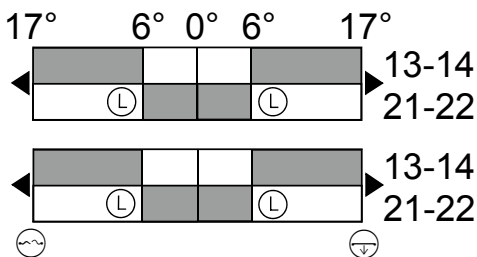


## Emergency pull-wire switch Extreme ZS 92 S 22 VD B -40°C ... +85°C IP66/67 Extreme Material number: 1456669

### Technical data

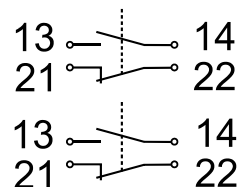
Connection	screw connection terminals
Cable cross-section	0.5 ... 2.5 mm <sup>2</sup> (incl. conductor ferrules)
Cable entry	2 x M25 x 1.5
Rated impulse withstand voltage U <sub>imp</sub>	6 kV
Rated insulation voltage U <sub>i</sub>	400 V
Conventional thermal current I <sub>the</sub>	6 A
Conditional short-circuit current	1100 A
Rated operating current/voltage I <sub>e</sub> /U <sub>e</sub>	6 A/400 VAC
Utilisation category	AC-15
Short-circuit protection	6 A gG/gN fuse
Mechanical life	> 50 000 operations
Max. wire length	2 x 100 m
Ambient temperature	-40 °C ... +85 °C
Degree of pollution	3
Actuating force	actuating lever approx. 30 N; reset lever approx. 40 N
Approvals	
Weight	1880 g

### Switching diagram



- Latching point
- Wire breakage detection
- Wire pull detection

### Contact diagram



Errors and omissions excepted.