



Emergency pull-wire switch

ZS 71 2Ö/1S VD / 100 N

Material number: 1185002 (Material number old: 71941901)

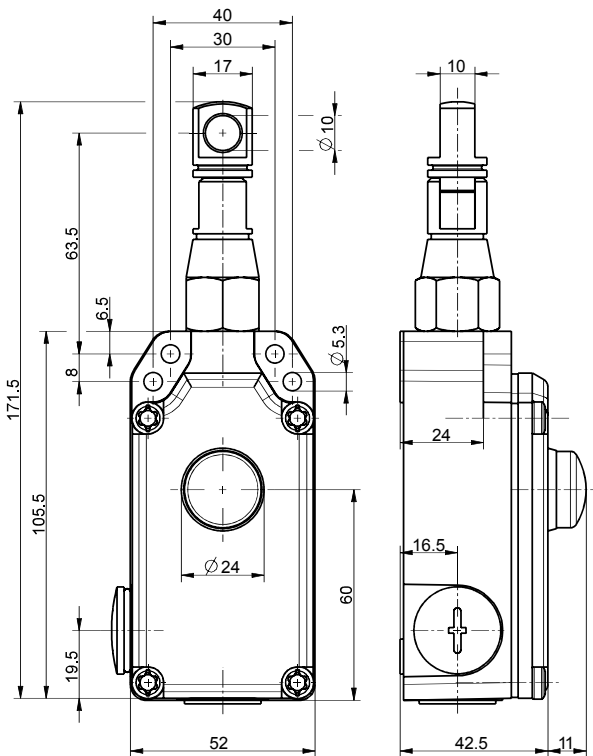
Features/Options:

- Metal enclosure
- 3 contacts
- Compact design
- Wire length up to 35 m
- Spring force variant: 100 N
- Release by push button (VD)
- Wire pull and breakage detection

Notes

- At 3 m distance intermediate wire supports are required. One wire thimble is provided.

Dimensions



Technical data

Applied standards	EN 60947-5-1, EN 60947-5-5, EN ISO 13850, EN ISO 13849-1
Enclosure	aluminium die-cast, powder-coated
Cover	thermoplastic, glass-fibre reinforced, impact resistant, self-extinguishing UL 94 V-0
Degree of protection	IP 65 to IEC/EN 60529
B_{10d} (10 % load)	100 000
T_M	max. 20 years
Contact material	silver
Switching system	snap action, positive break NC contacts \ominus
Switching elements	2 NC/1 NO contact, type Zb
Connection	screw connection terminals
Cable cross-section	min. 0.5 mm ² , max. 2.5 mm ² (incl. conductor ferrules)
Stripping length	6 mm
Cable entry	2 x M20 x 1.5
Rated impulse withstand voltage U_{imp}	6 kV
Rated insulation voltage U_i	400 V
Conventional thermal current I_{the}	2 A
Utilisation category	AC-15
Rated operating current/voltage I_e/U_e	2 A/250 VAC
Short-circuit protection	2 A gG/gN fuse
Ambient temperature	-25 °C ... +70 °C

Errors and omissions excepted.



Emergency pull-wire switch

ZS 71 2Ö/1S VD / 100 N

Material number: 1185002 (Material number old: 71941901)

Technical data

Mechanical life > 100 000 operations

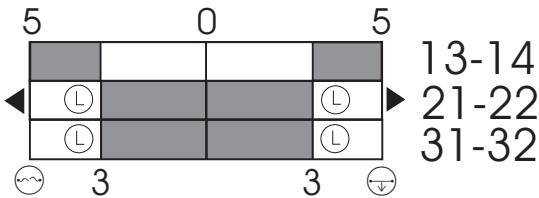
Max. wire length 35 m

Approvals



Weight 368 g

Switching diagram



- Ⓛ Latching point
- Ⓜ Wire breakage detection
- Ⓣ Wire pull detection

Contact diagram

