



Position switch Extreme with safety function

EM 98 H-12 +90°C IP69 Extreme

Material number: 1306175 (Material number old: 9106139002)

Features/Options:

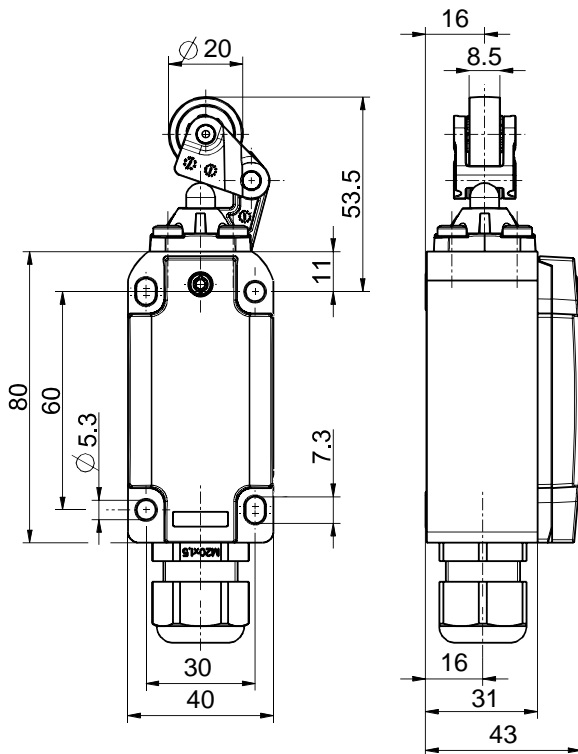
- Heat-resistant up to +90 °C
- High degree of protection IP 69, IP 69K
- Metal enclosure
- Design to EN 50041
- Snap action, 2 NC/1 NO contact with double break

- Actuator: Roller lever H
- Actuating speed max. 0.5 m/s with an actuating angle of 30°
- Actuation parallel to switch from right
- Wear-resistant plastic roller
- Actuator can be repositioned by 4 x 90°

Notes

- Actuation from the left should be avoided since this reduces the mechanical life of the position switch.

Dimensions



Technical data

Applied standards	EN ISO 13849-1, EN 60947-5-1, EN ISO 14119
Enclosure	aluminium die-cast, corrosion-resistant, powder-coated, anthracite grey, similar to RAL 7016
Cover	stainless steel 1.4401, powder-coated, signal yellow, similar to RAL 1003
Switch type	type 1
Coding level	no coding
Degree of protection	IP 66, IP 67, IP 69 (IEC/EN 60529) / IP 69K (ISO 20653)
B _{10d} (10 % load)	2 million
T _M	max. 20 years
Contact material	silver
Switching system	snap action, positive break NC contacts ⊖
Switching elements	2 NC/1 NO contact, type Zb
Connection	screw connection terminals
Cable cross-section	max. 1.5 mm ² (incl. conductor ferrules)
Cable entry	1 x M20 x 1.5
Rated impulse withstand voltage U _{imp}	4 kV
Rated insulation voltage U _i	400 V
Conventional thermal current I _{the}	1.5 A
Rated operating current/voltage I _e /U _e	1.5 A/230 VAC; 0.27 A/250 VDC

Errors and omissions excepted.




Position switch Extreme with safety function

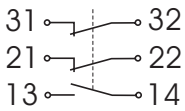
EM 98 H-12 +90°C IP69 Extreme

Material number: 1306175 (Material number old: 9106139002)

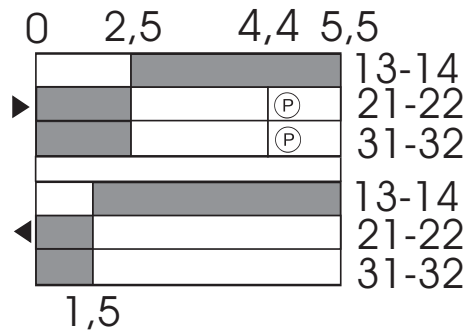
Technical data

Utilisation category	AC-15; DC-13
Short-circuit protection	1.5 A gG/gN fuse
Mechanical life	> 1 million operations
Operation cycles	max. 1800/h
Ambient temperature	-20 °C ... +90 °C
Approvals	
Weight	290 g

Contact diagram



Switching diagram



Ⓟ Positive break travel/angle