



Wireless magnetic sensor RF RC 10 SW915 Material number: 1271511

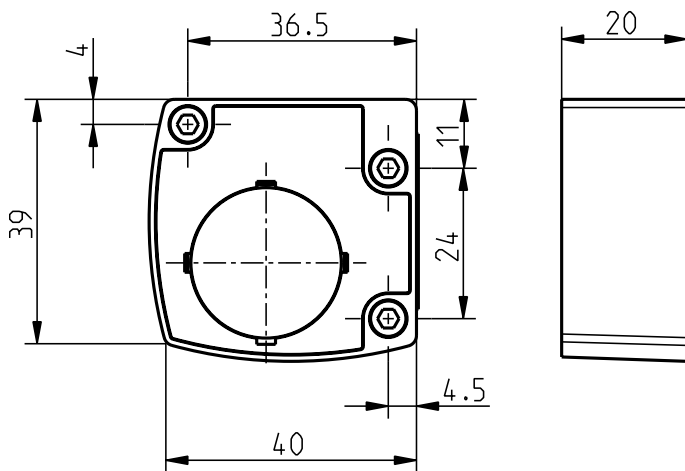
Features/Options:

- Thermoplastic enclosure
- sWave® wireless technology
- No wiring and pipe laying required

Notes

- The actuator is not included in the delivery of the switches

Dimensions



Technical data

Applied standards	EN 60947-5-1, EN 61000-6-2, EN 61000-6-3, EN 301 489-1, EN 301 489-3, EN 300 220-2
Enclosure	thermoplastic, glass-fibre reinforced, impact resistant, self-extinguishing UL 94 V-0
Tightening torque	enclosure mounting screws: 0.5 ... 0.6 Nm
Degree of protection	IP 67 to IEC/EN 60529
Protocol	sWave®
Frequency	915 MHz (USA, Canada, Mexico, Australia)
Transmission power	< 25 mW
Data rate	66 kbps
Channel bandwidth	550 kHz
Voltage supply	lithium battery CR 2032 (replaceable)
System	Lithium-MnO ₂
Nominal voltage	3 V
Nominal capacity	0.23 Ah
Battery life	> 800 000 operations
Ambient temperature	-20 °C ... +65 °C
Switching system	reed contacts
Rated switching distance s _n	10 mm
Hysteresis	approx. 1 mm
Operation cycles	max. 12000 telegrams with repetitions/h
Wireless range	max. 450 m outdoors, max. 40 m indoors
Mechanical life	> 1 million operations

Errors and omissions excepted.



Wireless magnetic sensor
RF RC 10 SW915
Material number: 1271511

Technical data

Actuating time	min. 80 ms
Mounting	actuator: min. 8 mm distance to ferromagnetic material
Note	no status signal available
Wireless approvals	USA: FCC - XK5-RFRXSW915 Canada: IC - 5158A-RFRXSW915 Mexico: IFT - RCPSTRF17-1886
Weight	30 g