



## Accessories for Ex AZ 16

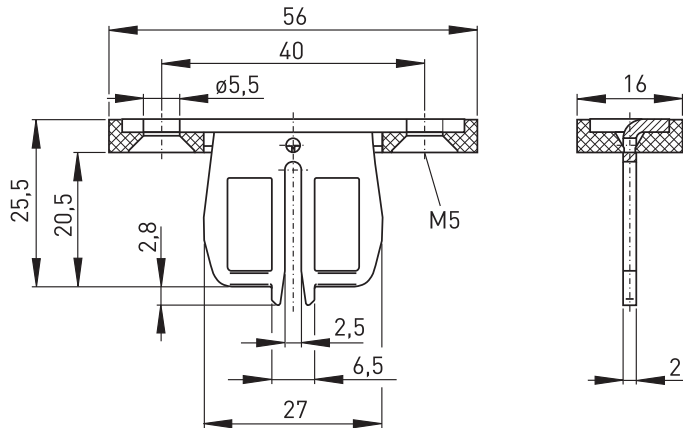
### Straight actuator AZ 15/16-B1

Material number: 1172495 (Material number old: 01.08.0187)

#### Features/Options:

- Actuating radius on hinged guards a = 150 mm and b = 150 mm
- Axial misalignment x = 5 mm

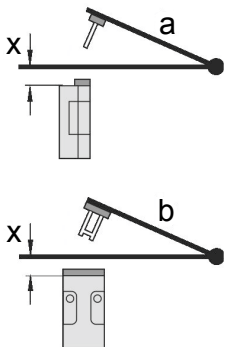
#### Dimensions



#### Technical data

Weight	12 g
--------	------

#### Actuating radii



The axis of the hinge should be x mm above the top edge of the safety switch and in the same plane.

a = Actuating radius to the plane of the actuator

b = Actuating radius in line with the plane of the actuator

x = Axial misalignment

Attention! x must be referred to the surface of the enclosure and not to the inserted actuator!