



## Safety sensor RC Si 56 2Ö - 5m

Material number: 1185905 (Material number old: 25650501)

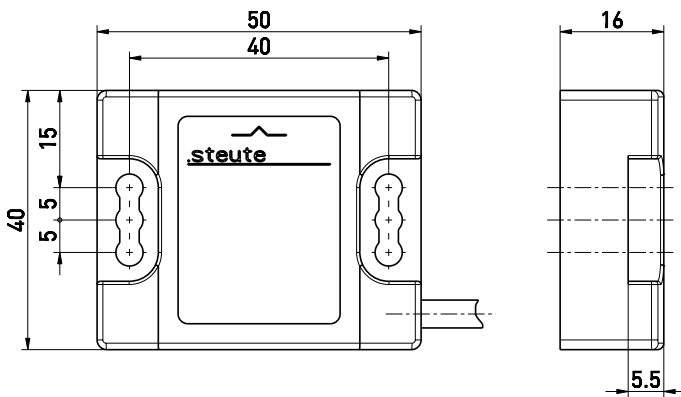
### Features/Options:

- Thermoplastic enclosure
- Long life
- Reed contacts, coded
- Actuation from front
- Switching distance up to 6 mm
- With pre-wired cable

### Notes

- The actuator is not included in the delivery of the switches

### Dimensions



### Technical data

Applied standards	EN 60947-5-1, EN 60947-5-3, EN ISO 13849-1, EN ISO 14119
Enclosure	thermoplastic, glass-fibre reinforced, impact resistant, self-extinguishing UL 94 V-0
Sensor type	type 4 interlocking device
Coding level	low coding
Degree of protection	IP 67 to IEC/EN 60529
Safety-relevant data:	
EN ISO 13849-1	Performance Level PL e
Category	4
$B_{10d}$ (10 % load)	2 million
$T_M$	max. 20 years
$MTTF_d$	> 100 years
DC/DC <sub>avg</sub>	> 99 %
Note	The safety-related data are only valid in combination with a safety module, e.g. SRM 21 RT2 (mat. no. 1179203).
Switching system	reed contacts
Switching elements	2 NC contacts
Connection	pre-wired cable 4 x AWG 24
Cable length	5 m
Switching voltage	max. 30 VDC
Rated operating current/voltage $I_e/U_e$	max. 157 mA / 24 VDC
Utilisation category	DC-12
Voltage drop at $I_e$	max. 3.15 V

Errors and omissions excepted.



## Safety sensor RC Si 56 2Ö - 5m

Material number: 1185905 (Material number old: 25650501)

### Technical data

Short-circuit current  $I_k$  max. 750 mA for 50 ms

Switching frequency max. 5 Hz

Assured switching distance  
»OFF«  $s_{ar}$  > 23 mm

Repeatability  $\pm 0.5$  mm

Hysteresis min. 23 mm

Degree of pollution 3

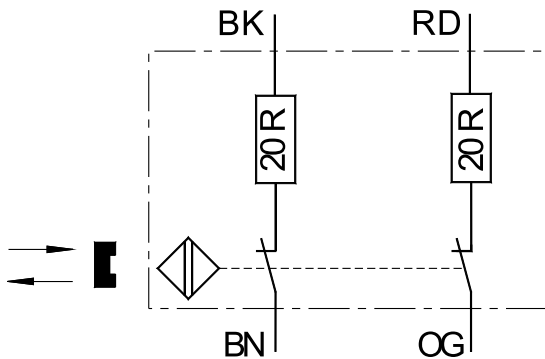
Safety class II

Ambient temperature  $-20$  °C ...  $+85$  °C

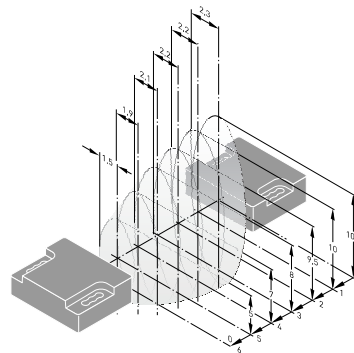
Mechanical life > 1 million operations

Weight 175 g

### Contact diagram



### Axial misalignment



Errors and omissions excepted.