



## Ex command device

Ex 14 RUV-S 1Ö/1S-1m

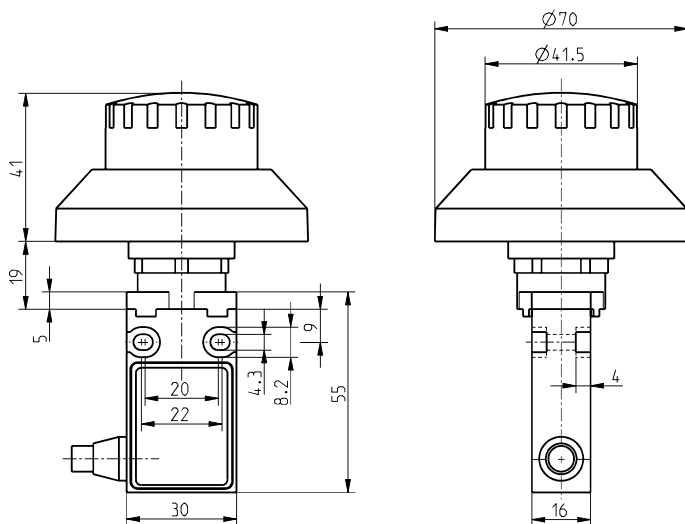
Material number: 1185800 (Material number old: 14059905)

### Features/Options:

- Ex zone 1 and 21
- Double insulated
- Mounting hole diameter 22.5 mm
- With pre-wired cable
- Cable entry on side
- Actuator: Emergency-stop push button RUV
- Actuator made of plastic

- Projection from front of panel 41 mm
- With collar to prevent blocking
- Reset by turning clockwise
- With pressure-point to protect against unintentional actuation
- Attention: Please state required international approvals with your order!

### Dimensions



### Technical data

Applied standards	EN 60947-5-1, EN 60947-5-5, EN ISO 13849-1, EN ISO 13850, EN 60079-0, EN 60079-1, EN 60079-31
Enclosure	thermoplastic, glass-fibre reinforced, impact resistant, self-extinguishing UL 94 V-0
Degree of protection	IP 65 to IEC/EN 60529
B <sub>10d</sub> (10 % load)	60 000
T <sub>M</sub>	max. 20 years
Contact material	silver
Switching system	slow action, positive break NC contacts $\ominus$
Switching elements	1 NC/1 NO contact, type Zb
Connection	pre-wired cable H05VV-F
Cable cross-section	4 x 0.75 mm <sup>2</sup>
Cable length	1 m
Rated impulse withstand voltage U <sub>imp</sub>	4 kV
Rated insulation voltage U <sub>i</sub>	250 V
Conventional thermal current I <sub>the</sub>	T6: 6 A, T5: 3 A
Rated operating current/voltage I <sub>e</sub> /U <sub>e</sub>	6 A/250 VAC; 0.25 A/230 VDC
Utilisation category	AC-15; DC-13
Short-circuit protection	6 A gG/gN fuse
Ambient temperature	T6: -20 °C ... +65 °C, T5: -20 °C ... +75 °C, +90 °C with max. 3 A
Mechanical life	> 30 000 operations

Errors and omissions excepted.



Ex command device

Ex 14 RUV-S 1Ö/1S-1m

Material number: 1185800 (Material number old: 14059905)

## Technical data

Operation cycles

max. 1800/h

Ex marking

⊕ II 2G Ex db IIC T6/T5 Gb,  
⊕ II 2D Ex tb IIIC  
T80 °C/T95 °C Db  
IECEX Ex db IIC T6/T5 Gb,  
Ex tb IIIC T80 °C/T95 °C Db

Approvals

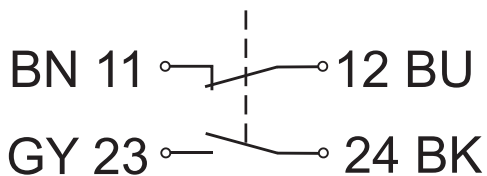
PTB 03 ATEX 1070 X  
IECEX PTB 06.0098X



Weight

160 g

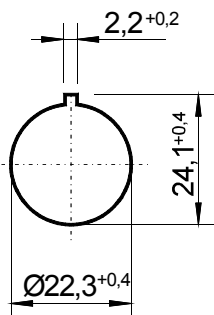
## Contact diagram



## Switching diagram



## Cut out dimensions



Errors and omissions excepted.