



## Foot switch with metal enclosure

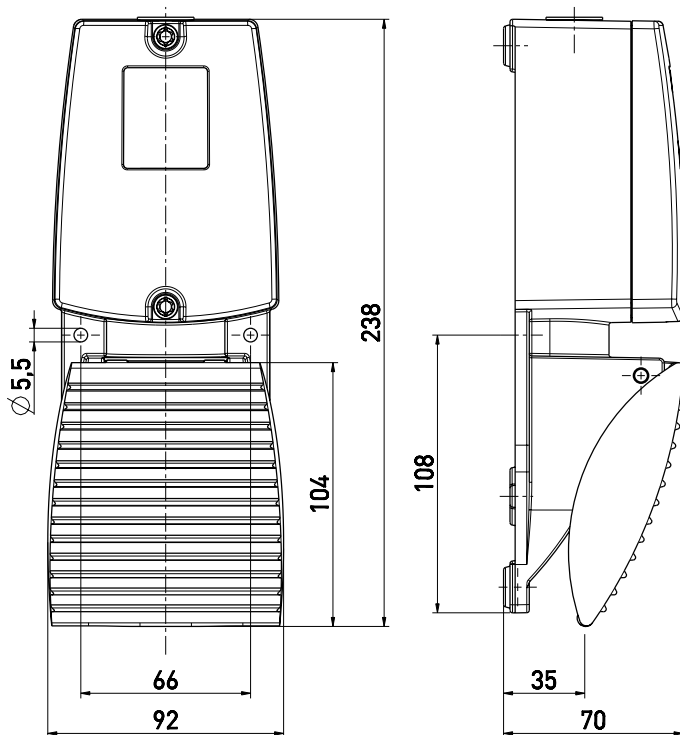
### GFI 1Ö/1S

Material number: 1053497 (Material number old: 53101001)

#### Features/Options:

- Metal enclosure
- High level of stability
- Ergonomic pedal design and low pedal height
- Wiring compartment

#### Dimensions



#### Technical data

Applied standards	EN 60947-5-1
Enclosure	aluminium die-cast, powder-coated
Cover	aluminium die-cast, powder-coated
Pedal	aluminium die-cast, powder-coated
Degree of protection	IP 65 to IEC/EN 60529
$B_{10d}$ (10 % load)	2 million
$T_M$	max. 20 years
Connection	screw connection terminals
Cable cross-section	max. 2.5 mm <sup>2</sup> (incl. conductor ferrules)
Cable entry	1 x M20 x 1.5
Contact material	silver
Switching system	slow action, positive break NC contacts ⊖
Switching elements	1 NC/1 NO contact, type Zb
Switch insert	1 x ES 60 GF
Utilisation category	AC-15
Rated operating current/voltage $I_e/U_e$	16 A/400 VAC
Short-circuit protection	16 A gG/gN fuse
Ambient temperature	-25 °C ... +80 °C
Mechanical life	> 1 million operations
Approvals	
Weight	910 g

Errors and omissions excepted.

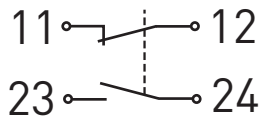


Foot switch with metal enclosure

GFI 1Ö/1S

Material number: 1053497 (Material number old: 53101001)

Contact diagram



Switching diagram

