



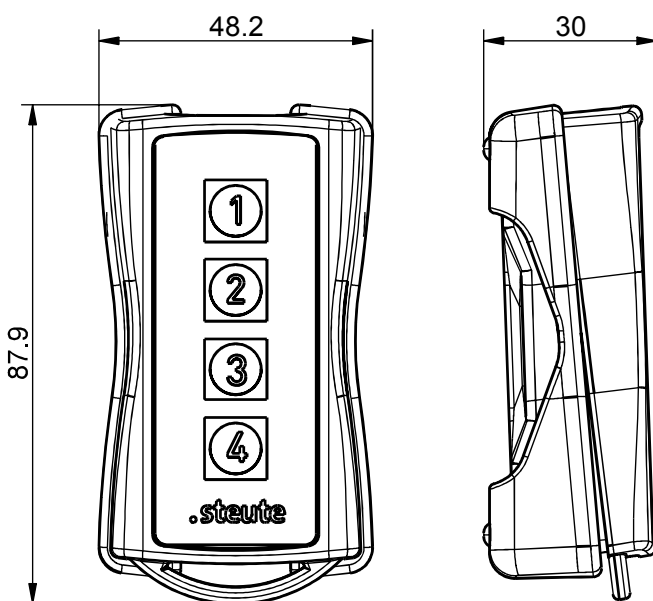
## Wireless hand control RF HB SW915-4CH Material number: 1316916

### Features/Options:

- Thermoplastic enclosure
- sWave® wireless technology
- Keypad with four function keys
- Surrounding sealing (shock protection)

- With lanyard/keychain mounting
- Power supply by Lithium battery
- Easy programming of receiver
- Output signal can be individually configured at the receiver

### Dimensions



### Technical data

Applied standards	EN 60947-5-1, EN 61000-6-2, EN 61000-6-3, EN 61000-4-2, EN 301 489-1, EN 301 489-3, EN 300 220-1, EN 300 220-2
Enclosure	ABS, graphite grey, similar to RAL 7024
Decor seal	TPE, signal red, similar to RAL 3001
Degree of protection	IP 54 to IEC/EN 60529
Protocol	sWave®
Frequency	915 MHz (USA, Canada, Mexico, Australia)
Transmission power	< 25 mW
Data rate	66 kbps
Channel bandwidth	550 kHz
Voltage supply	lithium battery CR 2032 (replaceable)
System	Lithium-MnO <sub>2</sub>
Nominal voltage	3 V
Nominal capacity	0.23 Ah
Battery life	> 800 000 operations
Ambient temperature	-20 °C ... +65 °C
Storage and shipping temperature	-40 °C ... +85 °C
Operation cycles	max. 12000 telegrams with repetitions/h
Wireless range	max. 450 m outdoors, max. 40 m indoors
Mechanical life	> 1 million operations
Actuating time	min. 80 ms
Note	transmission of battery voltage and switching condition

Errors and omissions excepted.



Wireless hand control  
RF HB SW915-4CH  
Material number: 1316916

## Technical data

Wireless approvals

USA: FCC - XK5-RFRXSW915  
Canada: IC - 5158A-RFRXSW915  
Mexico: IFT - RCPSTRF17-1886

Weight

61 g