



Position switch

ES 14 DS 1Ö/1S - 2m

Material number: 1189134 (Material number old: 14029004)

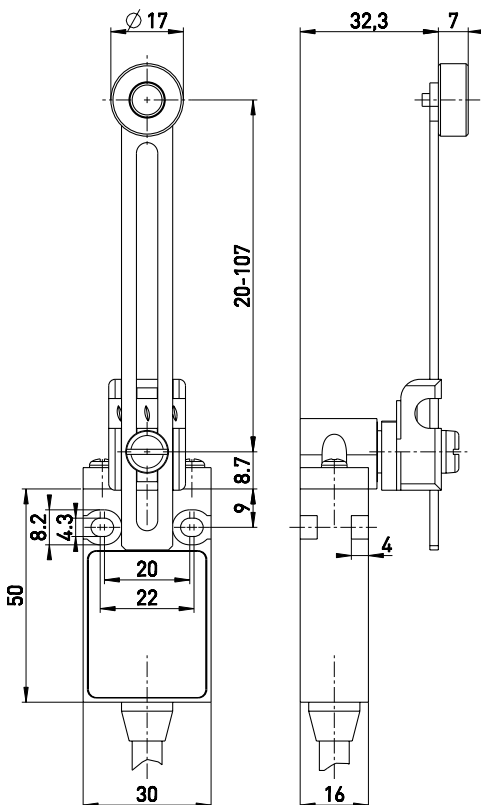
Features/Options:

- Thermoplastic enclosure
- Double insulated
- Mounting details to EN 50047
- Suitable for in-line mounting
- With pre-wired cable
- Actuator: Adjustable rocking lever DS
- Actuating speed max. 0.5 m/s with a vertical actuating angle of 45°
- Wear-resistant plastic roller
- Lever can be repositioned in 10° steps clockwise or counter-clockwise
- Actuator can be repositioned by 180°

Notes

- With metal roller available on request

Dimensions



Technical data

| | |
|---|---|
| Applied standards | EN 60947-5-1 |
| Enclosure | thermoplastic, glass-fibre reinforced, impact resistant, self-extinguishing UL 94 V-0 |
| Degree of protection | IP 67 to IEC/EN 60529 |
| Contact material | silver |
| Switching system | slow action |
| Switching elements | 1 NC/1 NO contact, type Zb |
| Connection | pre-wired cable H05VV-F |
| Cable cross-section | 4 x 0.75 mm ² |
| Cable length | 2 m |
| Rated impulse withstand voltage U_{imp} | 4 kV |
| Rated insulation voltage U_i | 250 V |
| Conventional thermal current I_{the} | 6 A |
| Rated operating current/voltage I_e/U_e | 6 A/250 VAC; 0.25 A/230 VDC |
| Utilisation category | AC-15; DC-13 |
| Short-circuit protection | 6 A gG/gN fuse |
| Ambient temperature | -20 °C ... +75 °C |
| Mechanical life | > 1 million operations |
| Operation cycles | max. 1800/h |
| Repeat accuracy of switching points | ± 0.1 mm |
| Contact opening | max. 2 x 4 mm |

Errors and omissions excepted.



Position switch

ES 14 DS 1Ö/1S - 2m

Material number: 1189134 (Material number old: 14029004)

Technical data

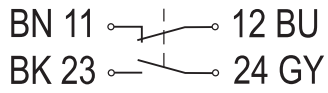
Approvals



Weight

225 g

Contact diagram



Switching diagram

