



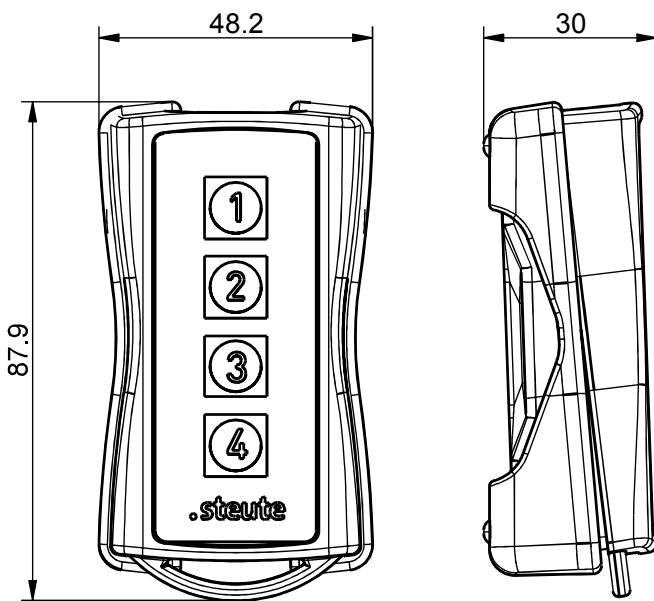
Wireless hand control RF HB SW868-4CH Material number: 1293549

Features/Options:

- Thermoplastic enclosure
- sWave® wireless technology
- Keypad with four function keys
- Surrounding sealing (shock protection)

- With lanyard/keychain mounting
- Power supply by Lithium battery
- Easy programming of receiver
- Output signal can be individually configured at the receiver

Dimensions



Technical data

Applied standards	EN 60947-5-1, EN 61000-6-2, EN 61000-6-3, EN 61000-4-2, EN 301 489-1, EN 301 489-3, EN 300 220-1, EN 300 220-2
Enclosure	ABS, graphite grey, similar to RAL 7024
Decor seal	TPE, signal red, similar to RAL 3001
Degree of protection	IP 54 to IEC/EN 60529
Protocol	sWave®
Frequency	868.3 MHz (Europe, China)
Transmission power	< 25 mW
Data rate	66 kbps
Channel bandwidth	350 kHz
Voltage supply	lithium battery CR 2032 (replaceable)
System	Lithium-MnO ₂
Nominal voltage	3 V
Nominal capacity	0.23 Ah
Battery life	> 800 000 operations
Ambient temperature	-20 °C ... +65 °C
Storage and shipping temperature	-40 °C ... +85 °C
Operation cycles	max. 12000 telegrams with repetitions/h
Wireless range	max. 450 m outdoors, max. 40 m indoors
Mechanical life	> 1 million operations
Actuating time	min. 80 ms
Note	transmission of battery voltage and switching condition

Errors and omissions excepted.



Wireless hand control
RF HB SW868-4CH
Material number: 1293549

Technical data

Wireless approvals

Europe: RED 2014/53/EU

Weight

60 g