



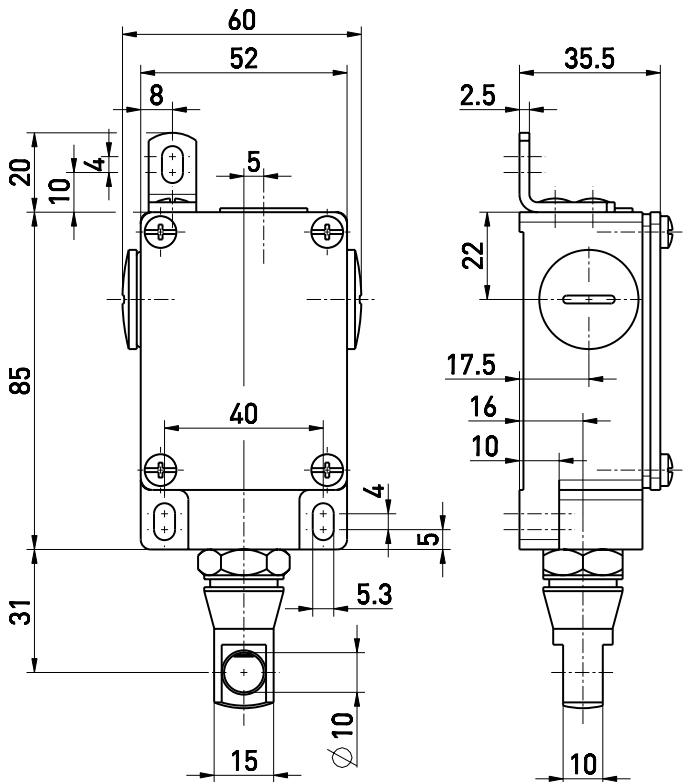
Pull-wire switch EM 61 Z 1Ö/1S

Material number: 1047911 (Material number old: 61141001)

Features/Options:

- Metal enclosure
- Version for wall mounting with mounting angle
- Snap action: 2 contacts
- Pull-wire function

Dimensions



Technical data

| | |
|---|---|
| Applied standards | EN 60947-5-1 |
| Enclosure | aluminium die-cast, powder-coated |
| Cover | steel, powder-coated |
| Degree of protection | IP 65 to IEC/EN 60529 |
| Contact material | silver |
| Switching elements | 1 NC/1 NO contact, type Zb |
| Switching system | snap action |
| Connection | screw connection terminals |
| Cable cross-section | max. 2.5 mm ² (incl. conductor ferrules) |
| Cable entry | 3 x M20 x 1.5 |
| Rated impulse withstand voltage U_{imp} | 6 kV |
| Rated insulation voltage U_i | 400 V |
| Conventional thermal current I_{the} | 6 A |
| Utilisation category | AC-15 |
| Rated operating current/voltage I_e/U_e | 6 A/400 VAC |
| Short-circuit protection | 6 A gG/gN fuse |
| Ambient temperature | -20 °C ... +80 °C |
| Mechanical life | > 1 million operations |
| Operation cycles | max. 3600/h |
| Actuating force | max. 50 N |
| Approvals | ERC |
| Weight | 326 g |

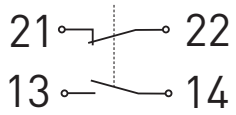
Errors and omissions excepted.



Pull-wire switch EM 61 Z 1Ö/1S

Material number: 1047911 (Material number old: 61141001)

Contact diagram



Switching diagram

