



## Magnetic sensor

RC 96 1S-1m

Material number: 1182140 (Material number old: 29620101)

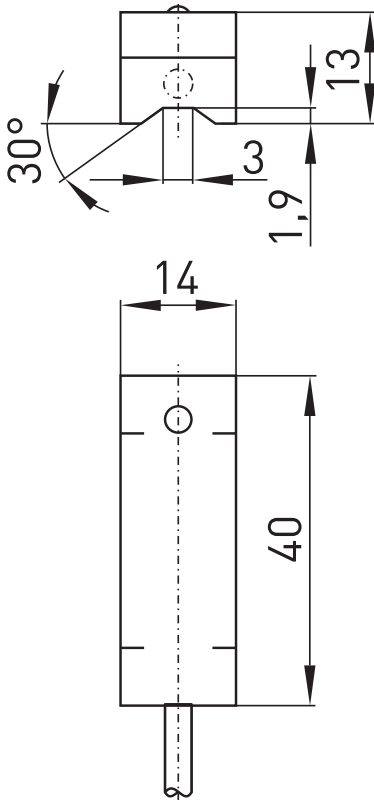
### Features/Options:

- Thermoplastic enclosure
- Application on pneumatic cylinders
- Long life
- 1 Reed contact
- Actuation from front and from side
- With pre-wired cable

### Notes

- The actuator is not included in the delivery of the switches

### Dimensions



### Technical data

Applied standards	EN 60947-5-2
Enclosure	thermoplastic
Degree of protection	IP 67 to IEC/EN 60529
Switching system	reed contacts
Switching elements	1 NO contact
Connection	Pre-wired cable LiYY 2 x AWG 26
Cable cross-section	2 x 0.14 mm <sup>2</sup>
Cable length	1 m
Switching voltage	max. 150 VAC / 200 VDC
Switching current	max. 1.5 A
Switching capacity	max. 50 W/VA
Switching frequency	max. 200 Hz
Ambient temperature	-10 °C ... +80 °C
Mechanical life	10 <sup>9</sup> operations
Repeatability	± 0.02 mm
Vibration resistance	20 g
Weight	30 g

Errors and omissions excepted.

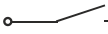


Magnetic sensor

RC 96 1S-1m

Material number: 1182140 (Material number old: 29620101)

Contact diagram

BU  BN