



Position switch with safety function

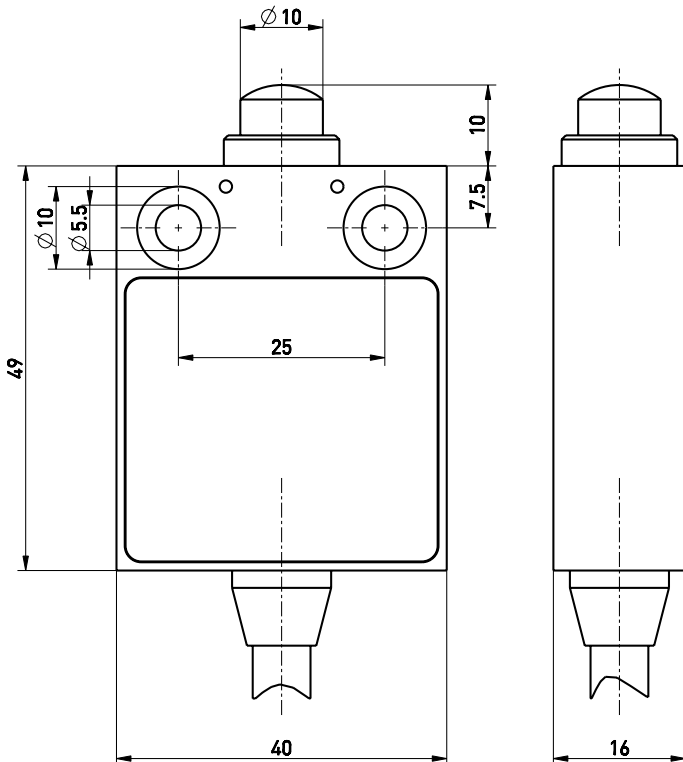
ES 13 1Ö/1S - 2m

Material number: 1044856 (Material number old: 13001901)

Features/Options:

- Thermoplastic enclosure
- Double insulated
- Suitable for in-line mounting
- With pre-wired cable
- Actuator: Plunger
- Actuating speed max. 0.5 m/s with a vertical actuating angle of 0°

Dimensions



Technical data

| | |
|--|---|
| Applied standards | EN ISO 13849-1, EN 60947-5-1, EN ISO 14119 |
| Enclosure | thermoplastic, glass-fibre reinforced, impact resistant, self-extinguishing UL 94 V-0 |
| Switch type | type 1 |
| Coding level | no coding |
| Tightening torque | enclosure mounting screws: max. 5 Nm |
| Degree of protection | IP 67 to IEC/EN 60529 |
| B _{10d} (10 % load) | 2 million |
| T _M | max. 20 years |
| Contact material | silver |
| Switching system | slow action, positive break NC contacts ⊖ |
| Switching elements | 1 NC/1 NO contact, type Zb |
| Connection | pre-wired cable H05VV-F |
| Cable cross-section | 4 x 0.75 mm ² |
| Cable length | 2 m |
| Rated impulse withstand voltage U _{imp} | 4 kV |
| Rated insulation voltage U _i | 250 V |
| Conventional thermal current I _{the} | 6 A |
| Rated operating current/voltage I _e /U _e | 6 A/250 VAC; 0.25 A/230 VDC; 4 A/24 VDC |
| Utilisation category | AC-15; DC-13 |
| Short-circuit protection | 6 A gG/gN fuse |
| Ambient temperature | -20 °C ... +75 °C |
| Mechanical life | > 1 million operations |

Errors and omissions excepted.



Position switch with safety function

ES 13 1Ö/1S - 2m

Material number: 1044856 (Material number old: 13001901)

Technical data

Operation cycles max. 1800/h

Repeat accuracy of switching points ± 0.1 mm

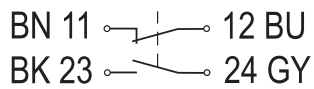
Contact opening max. 2 x 4.5 mm

Approvals

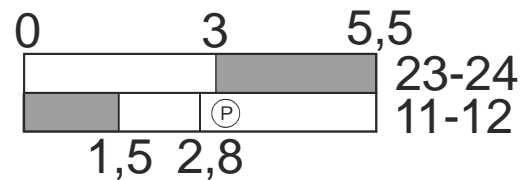


Weight 205 g

Contact diagram



Switching diagram



Ⓟ Positive break travel/angle