



Foot switch with thermoplastic enclosure

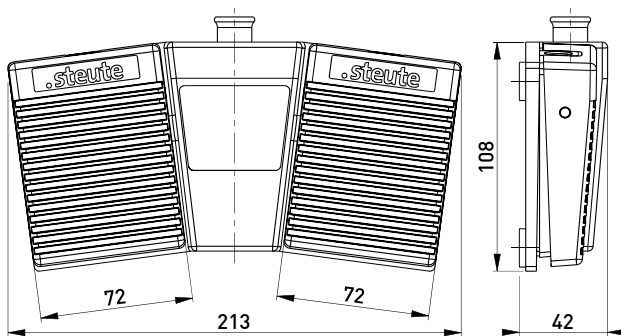
KF 2 1PW/1PW

Material number: 1049096 (Material number old: 87173003)


Features/Options:

- 2-pedal type
- Thermoplastic enclosure
- Small flat design
- Wiring compartment
- Micro switches (1-pole change-over contact per pedal) for current load up to 5 A

Dimensions



Technical data

Applied standards	EN 60947-5-1
Enclosure	thermoplastic, glass-fibre reinforced, impact resistant, self-extinguishing UL 94 V-0
Pedal	thermoplastic, glass-fibre reinforced, impact resistant, self-extinguishing UL 94 V-0
Degree of protection	IP 65 to IEC/EN 60529
Connection	wiring compartment, cable gland M12 x 1.5
Switching system	micro switch
Switching elements	1-pole change-over contact per pedal
Switching voltage	12 ... 250 VAC/DC
Switch-on current	max. 5 A
Switch-on power	max. 1250 VA
Short-circuit protection	5 A gG/gN fuse
Ambient temperature	-10 °C ... +60 °C
Mechanical life	> 1 million operations
Approvals	
Weight	428 g



Foot switch with thermoplastic enclosure

KF 2 1PW/1PW

Material number: 1049096 (Material number old: 87173003)

Contact diagram

