



Foot switch with thermoplastic enclosure

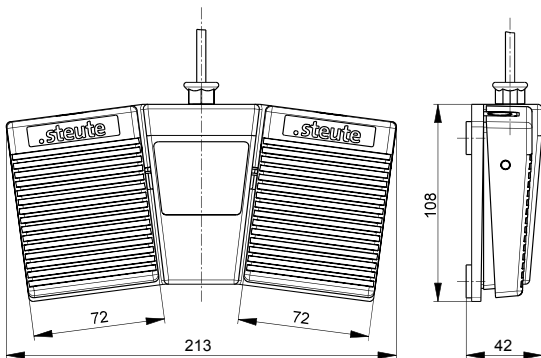
KF 2 1SD1S / 1SD1S-2m

Material number: 1049127 (Material number old: 87177003)

Features/Options:

- With pressure point: 2-step switch
- 2-pedal type
- Thermoplastic enclosure
- Small flat design
- With pre-wired cable
- Reed contacts (2 NO contacts per pedal)
for low currents from 1 mA to 1 A

Dimensions



Technical data

Applied standards	EN 60947-5-1
Enclosure	thermoplastic, glass-fibre reinforced, impact resistant, self-extinguishing UL 94 V-0
Pedal	thermoplastic, glass-fibre reinforced, impact resistant, self-extinguishing UL 94 V-0
Degree of protection	IP 65 to IEC/EN 60529
Connection	cablE 8 x AWG 24
Cable length	2 m
Cable diameter	6.2 mm \pm 3%
Cable cross-section	8 x 0.21 mm ²
Switching system	reed contacts
Switching elements	2 NO contacts per pedal
Actuating force	approx. 20 N
Switching voltage	12 ... 250 VAC/DC
Switch-on current	max. 1 A
Switch-on power	max. 30 VA
Ambient temperature	-10 °C ... +60 °C
Mechanical life	> 1 million operations
Approvals	
Weight	600 g

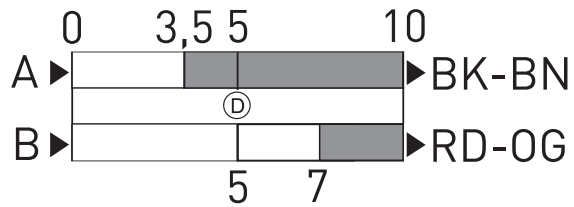


Foot switch with thermoplastic enclosure

KF 2 1SD1S / 1SD1S-2m

Material number: 1049127 (Material number old: 87177003)

Switching diagram



Ⓧ Pressure point