



## Wireless universal transmitter RF I/O SW868-4E-2,2Ah Material number: 1359762

### Features/Options:

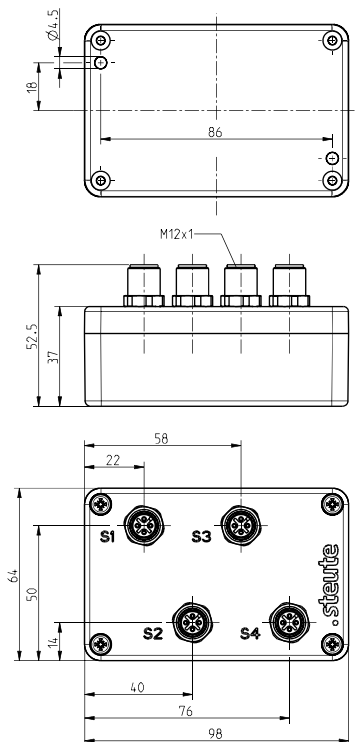
- Thermoplastic enclosure
- sWave® wireless technology
- No wiring and pipe laying required

- Power supply by Lithium battery
- Easy programming of receiver
- Output signal can be individually configured at the receiver

### Notes

- The RF I/O may be used in combination with [wireless inductive sensor RF IS](#) or wireless magnetic sensor RF RC 20
- Connection of external switching contact (potentialfree contact) with gold contacts possible.
- Delivery does not include protective caps.

### Dimensions



### Technical data

Applied standards	EN 60947-5-1, EN 61000-6-2, EN 61000-6-3, EN 301 489-1, EN 301 489-3, EN 300 220-1, EN 300 220-2
Enclosure	ABS
Degree of protection	IP 67 to IEC/EN 60529
Protocol	sWave®
Frequency	868.3 MHz (Europe, China)
Transmission power	< 25 mW
Data rate	66 kbps
Channel bandwidth	480 kHz
Voltage supply	lithium battery Tadiran SL-760 (replaceable)
System	Li/SOCl <sub>2</sub>
Nominal voltage	3.6 V
Nominal capacity	2.2 Ah
Battery life	depending on the switching frequency and number and type of sensors for 1000 transfers/day and one inductive sensor approx. 300 days; for 1000 transfers/day and one mechanical switch approx. 1400 days
Connection	4 x plug-in connector M12 x 1, 4-pole
Ambient temperature	-20 °C ... +65 °C
Operation cycles	max. 12000 telegrams with repetitions/h

Errors and omissions excepted.

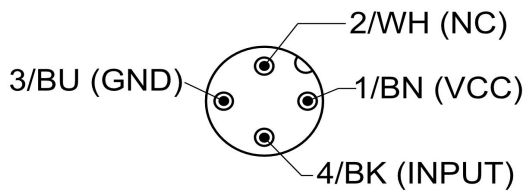


## Wireless universal transmitter RF I/O SW868-4E-2,2Ah Material number: 1359762

### Technical data

Switching frequency	max. 5 Hz
Standby current	60 $\mu$ A
Wireless range	max. 450 m outdoors, max. 40 m indoors
Actuating time	min. 80 ms
Note	status signal adjustable via jumper, no, 10 s, 100 s, 1000 s, 10000 s delivery state: jumper position without status signal, transmission of battery voltage and switching condition
Wireless approvals	Europe: RED 2014/53/EU
Weight	214 g

### Plug-in configuration



Colour coding only valid for  
coupling 4-poles mat. no. 1215497 and  
coupling 4-poles mat. no. 1262873

### External switch contact

