



Safety sensor Extreme RC Si 56 2Ö - 5m - IP69 Extreme

Material number: 1188995 (Material number old: 25659501)

Features/Options:

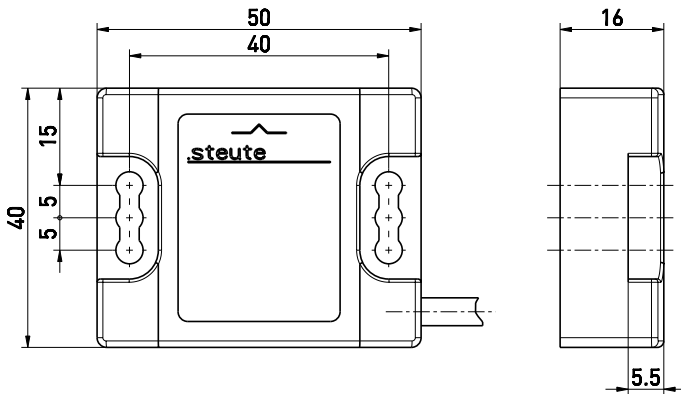
- Version with higher degree of protection IP 69: suitable for cleaning with 80 °C hot water at 100 bar pressure at a distance of 100 mm from different directions
- Thermoplastic enclosure
- Long life
- Reed contacts, coded

- Actuation from front
- Switching distance up to 6 mm
- With pre-wired cable
- Attention: Please state required international approvals with your order!

Notes

- The actuator is not included in the delivery of the switches

Dimensions



Technical data


Applied standards	EN 60947-5-1, EN 60947-5-3, EN ISO 13849-1, EN ISO 14119
Enclosure	thermoplastic, glass-fibre reinforced, impact resistant, self-extinguishing UL 94 V-0
Sensor type	type 4 interlocking device
Coding level	low coding
Degree of protection	IP 66, IP 67, IP 69 (IEC/EN 60529) / IP 69K (ISO 20653)
Safety-relevant data:	
EN ISO 13849-1	Performance Level PL e
Category	4
B_{10d} (10 % load)	2 million
T_M	max. 20 years
$MTTF_d$	> 100 years
DC/DC _{avg}	> 99 %
Note	The safety-related data are only valid in combination with a safety module, e.g. SRM 21 RT2 (mat. no. 1179203).
Switching system	reed contacts
Switching elements	2 NC contacts
Connection	pre-wired cable 4 x AWG 24
Cable length	5 m
Switching voltage	max. 30 VDC
Rated operating current/voltage I_e/U_e	max. 157 mA / 24 VDC

Errors and omissions excepted.

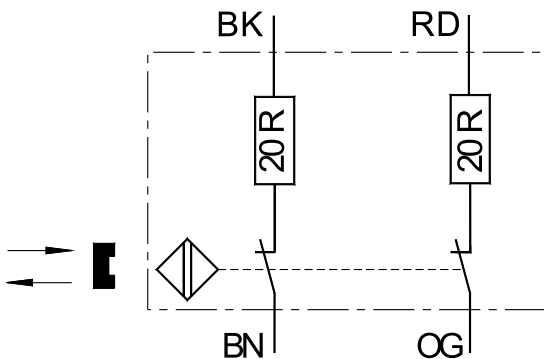


Safety sensor Extreme RC Si 56 2Ö - 5m - IP69 Extreme Material number: 1188995 (Material number old: 25659501)

Technical data

Utilisation category	DC-12
Voltage drop at I_e	max. 3.15 V
Short-circuit current I_k	max. 750 mA for 50 ms
Switching frequency	max. 5 Hz
Assured switching distance »OFF« s_{ar}	> 23 mm
Repeatability	± 0.5 mm
Hysteresis	min. 23 mm
Degree of pollution	3
Safety class	II
Ambient temperature	-20 °C ... +85 °C
Mechanical life	> 1 million operations
Approvals	
Weight	180 g

Contact diagram



Axial misalignment

