



Safety sensor

RC Si M30 1Ö/1S - LED - 10m

Material number: 1181430 (Material number old: 23000901)

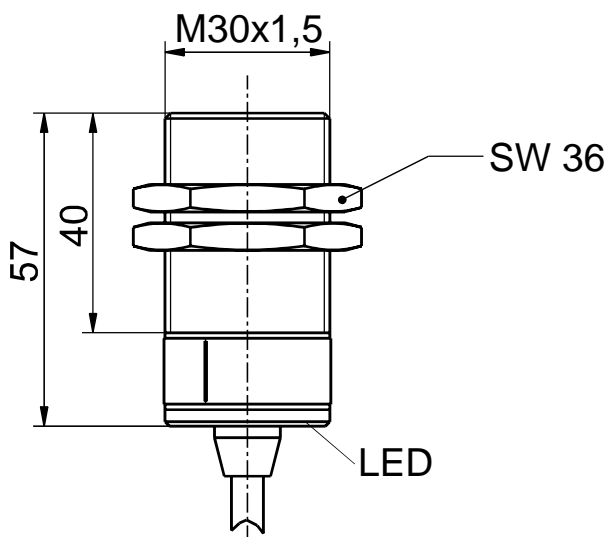
Features/Options:

- Metal enclosure
- Long life
- Reed contacts, coded
- Actuation from front
- Switching distance up to 10 mm
- With pre-wired cable
- Version with LED lamp

Notes

- 2 mounting nuts are included in delivery
- The actuator is not included in the delivery of the switches

Dimensions



Technical data

Applied standards	EN ISO 13849-1, EN ISO 14119, EN 60947-5-2, EN 60947-5-3*
Enclosure	brass, nickel
Sensor type	type 4 interlocking device
Coding level	low coding
Tightening torque	mounting nut: max. 75 Nm
Degree of protection	IP 67 to IEC/EN 60529
Safety-relevant data:	
EN ISO 13849-1	Performance Level PL e
Category	4
B_{10d} (10 % load)	20 million
T_M	max. 20 years
$MTTF_d$	> 100 years
DC/DC_{avg}	> 99 %
h_{op}	8 h/day
d_{op}	220 days/year
t_{zyklus}	20 s
Note	The safety-related data are only valid in combination with a safety module, e.g. SRM 21 RT2 (mat. no. 1179203).
Switching system	reed contacts
Switching elements	1 NC/1 NO contact
Connection	pre-wired cable H03VV-F

Errors and omissions excepted.

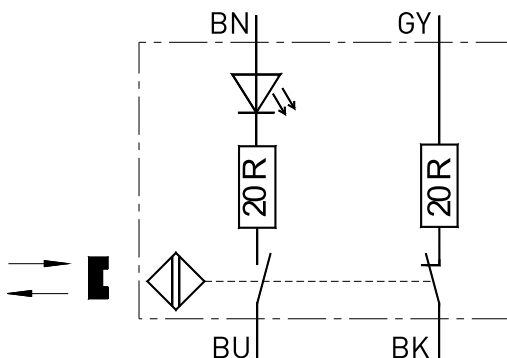


Safety sensor RC Si M30 1Ö/1S - LED - 10m Material number: 1181430 (Material number old: 23000901)

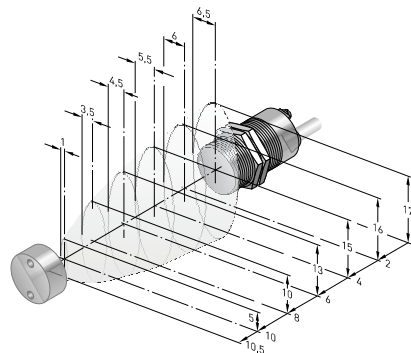
Technical data

Cable cross-section	4 x 0.5 mm ²
Cable length	10 m
Switching voltage	max. 30 VDC
Rated operating current/ voltage I_e/U_e	max. 20 mA / 24 VDC
Utilisation category	DC-12
Voltage drop at I_e	max. 3 V
Short-circuit current I_k	max. 30 mA for 50 ms
Switching frequency	max. 5 Hz
Degree of pollution	3
Safety class	II
Rated switching distance s_n	10 mm
Assured switching distance »ON« s_{ao}	8 mm
Assured switching distance »OFF« s_{ar}	30 mm
Repeatability	± 0.5 mm
Hysteresis	approx. 14 mm
Ambient temperature	-20 °C ... +70 °C
Storage and shipping temperature	-30 °C ... +85 °C
Mechanical life	> 10 million operations
Weight	700 g

Contact diagram



Axial misalignment



Errors and omissions excepted.