



Position switch Extreme with safety function

ES 14 D 2Ö/1S - 2m -40°C IP66 Extreme

Material number: 1189446 (Material number old: 14921907)

Features/Options:

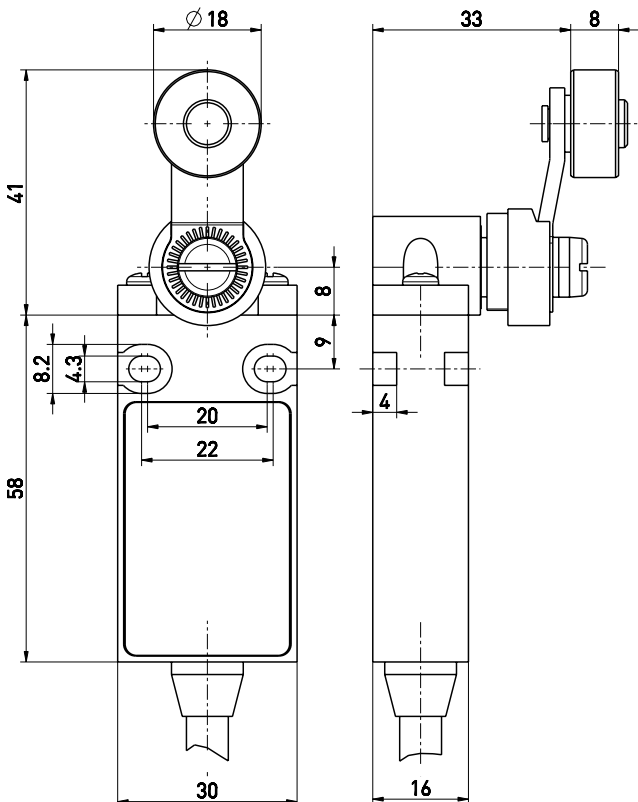
- Cold-resistant down to -40 °C
- High degree of protection IP 66
- Thermoplastic enclosure
- Double insulated
- Slow action , 2 NC/1 NO contact with double break
- Mounting details to EN 50047
- Suitable for in-line mounting
- With pre-wired cable
- Actuator: Rocking lever D

- Actuating speed max. 0.5 m/s with a vertical actuating angle of 45°
- Wear-resistant plastic roller
- Lever can be repositioned in 10° steps clockwise or counter-clockwise
- Actuator can be repositioned by 180°
- Attention: Please state required international approvals with your order!

Notes

- With metal roller available on request

Dimensions



Technical data

Applied standards	EN ISO 13849-1, EN 60947-5-1, EN ISO 14119
Enclosure	thermoplastic, glass-fibre reinforced, impact resistant, self-extinguishing UL 94 V-0
Switch type	type 1
Coding level	no coding
Degree of protection	IP 66 to IEC/EN 60529
B _{10d} (10 % load)	2 million
T _M	max. 20 years
Contact material	silver
Switching system	slow action, positive break NC contacts
Switching elements	2 NC/1 NO contact, type Zb
Connection	cable 6 x AWG 26
Cable cross-section	6 x 0.14 mm ²
Cable length	2 m
Rated impulse withstand voltage U _{imp}	4 kV
Rated insulation voltage U _i	250 V
Conventional thermal current I _{the}	6 A
Rated operating current/voltage I _e /U _e	6 A/250 VAC; 0.25 A/230 VDC

Errors and omissions excepted.



Position switch Extreme with safety function

ES 14 D 2Ö/1S - 2m -40°C IP66 Extreme

Material number: 1189446 (Material number old: 14921907)

Technical data

Utilisation category AC-15; DC-13

Short-circuit protection 6 A gG/gN fuse

Ambient temperature -40 °C ... +75 °C

Mechanical life > 1 million operations

Operation cycles max. 1800/h

Repeat accuracy of switching points ± 0.1 mm

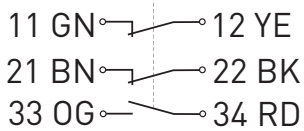
Contact opening max. 2 x 4 mm

Approvals

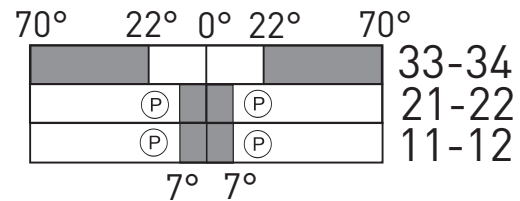


Weight 130 g

Contact diagram



Switching diagram



Ⓟ Positive break travel/angle