



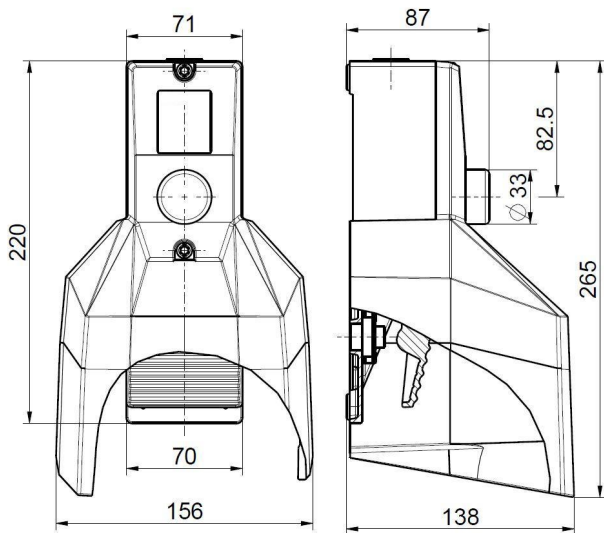
Safety foot switch GFS IK 2ÖS D 2Ö VD

Material number: 1179113 (Material number old: 81281904)

Features/Options:

- Metal enclosure
- Wiring compartment
- Without switching impulse when unlocking foot switch;
NO contact 13-14 is converted into positive break NC contact \ominus
by internal baffle after pressure point,
Safety contact: 13-14 \ominus , Signalling contact: 21-22

Dimensions



Technical data

Applied standards	EN ISO 13849-1, EN 60947-5-1, GS-ET-15
Enclosure	aluminium die-cast, powder-coated
Pedal	thermoplastic, glass-fibre reinforced, impact resistant, self-extinguishing UL 94 V-0
Protective shield	aluminium die-cast, powder-coated
Degree of protection	IP 65 to IEC/EN 60529
B_{10d} (10 % load)	200 000
T_M	max. 20 years
Connection	screw connection terminals
Cable cross-section	max. 2.5 mm ² (incl. conductor ferrules)
Cable entry	1 x M20 x 1.5
Contact material	silver
Switching system	slow action, positive break NC contacts \ominus
Switch insert	2 x EM 232 IK 1Ö/1S-V
Switching elements	2 NO/2 NC contacts
Actuating force	pressure point approx. 245 N
Utilisation category	AC-15
Rated impulse withstand voltage U_{imp}	6 kV
Rated insulation voltage U_i	500 V
Conditional short-circuit current	1100 A
Conventional thermal current I_{the}	6 A

Errors and omissions excepted.



Safety foot switch GFS IK 2ÖS D 2Ö VD

Material number: 1179113 (Material number old: 81281904)

Technical data

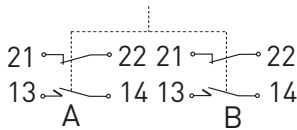
Rated operating current/ voltage I_e/U_e	6 A/400 VAC
Contact load capacity	max. 400 VAC, max. 6 A ($\cos \varphi = 1$)
Short-circuit protection	6 A gG/gN fuse
Ambient temperature	-25 °C ... +80 °C
Mechanical life	> 100 000 operations

Approvals

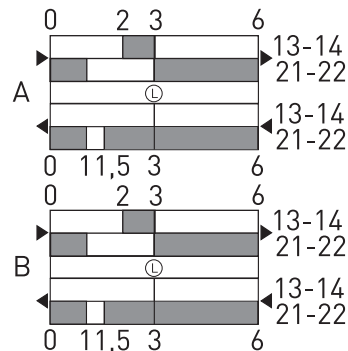


Weight	1200 g
--------	--------

Contact diagram



Switching diagram



Ⓛ Latching point