

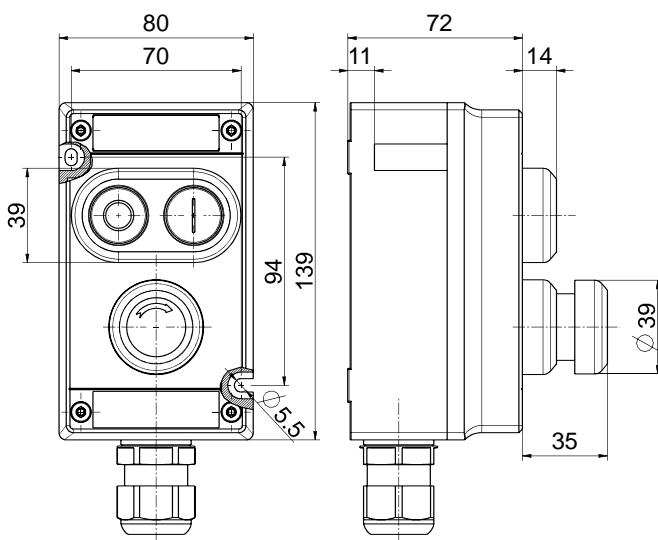


Ex command device Ex BF 80 2 DDT/PZTNA 1ÖS/2Ö -60°C Material number: 1307828

Features/Options:

- Ex zone 1 and 21
- Cold-resistant down to -60 °C
- Actuator: 1 double push button DDT, 1 emergency-stop push button PZTNA
- DDT: Red push button: 1 NC contact, green push button: 1 NO contact

Dimensions



Technical data

Applied standards	EN 60079-0, EN 60079-1, EN 60079-7, EN 60079-31, EN ISO 13849-1
Enclosure	polyester resin, glass-fibre reinforced
Sealing	silicone
Tightening torque	cover screws: max. 1 Nm connecting thread of cable gland: max. 3 Nm cap nut of cable gland: max. 2 Nm
Degree of protection	IP 66 to IEC/EN 60529
B _{10d} (10 % load)	6050
T _M	max. 20 years
Switching system	slow action, positive break NC contacts ⊖
Connection	screw connection terminals
Cable cross-section	max. 2.5 mm ² (incl. conductor ferrules)
Cable entry	1 x M25 x 1.5
Clamping range	7 ... 17 mm
Mechanical life	50 000 operations
Impact energy	max. 7 J
Rated insulation voltage U _i	550 V
Rated operating current/voltage I _e /U _e	AC-12: 6 A/400 VAC AC-15: 2.5 A/400 VAC DC-13: 1.25 A/250 VDC
Switching capacity	AC-12: 3000 VA AC-15: 1000 VA DC-13: 110 W
Temperature class	T6 / T5
Ambient temperature	T6: -60 °C ... +50 °C; T5: -60 °C ... +65 °C

Errors and omissions excepted.



Ex command device
Ex BF 80 2 DDT/PZTNA 1ÖS/2Ö -60°C
Material number: 1307828

Technical data

Ex marking II 2G Ex db eb IIC T6/T5 Gb,
 II 2D Ex tb IIIC
T80 °C/T95 °C Db
IECEX Ex db eb IIC T6/T5 Gb,
Ex tb IIIC T80 °C/T95 °C Db

Approvals PTB 10 ATEX 1018
IECEX PTB 12.0029

Contact element

Lighting element

Rated operating current I_e max. 10 mA

Rated operating voltage U_e 12 ... 240 V

Power consumption max. 1 W

Frequency range 0 ... 60 Hz

Contact diagram

