



Emergency pull-wire switch ZS 75 2Ö/2S VD / 120-180 N

Material number: 1048416 (Material number old: 75441504)

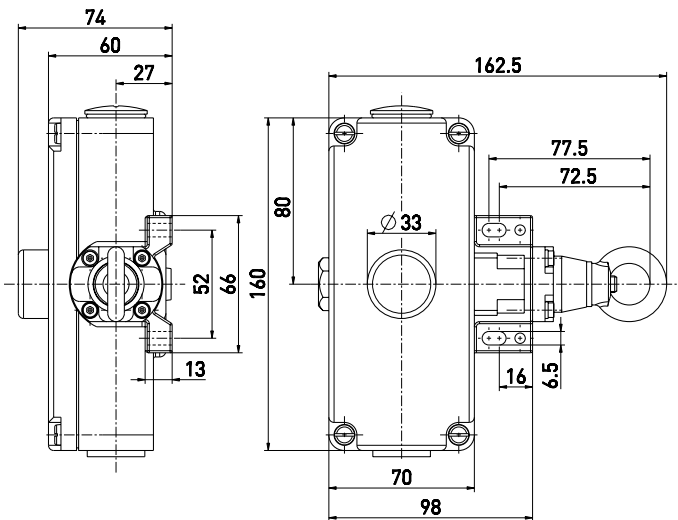
Features/Options:

- Metal enclosure
- 4 contacts
- Wire length up to 130 m

Notes

- At 5 m distance intermediate wire supports are required. One wire thimble is provided.

Dimensions



Technical data

Applied standards	EN 60947-5-1, EN 60947-5-5, EN ISO 13850, EN ISO 13849-1
Enclosure	aluminium die-cast, powder-coated
Cover	aluminium die-cast, powder-coated
Degree of protection	IP 54 to IEC/EN 60529
B_{10d} (10 % load)	100 000
T_M	max. 20 years
Contact material	silver
Switching elements	2 NC/2 NO contacts, type Zb
Switching system	snap action, positive break NC contacts \ominus
Connection	screw connection terminals
Cable cross-section	min. 0.5 mm ² , max. 2.5 mm ² (incl. conductor ferrules)
Stripping length	6 mm
Cable entry	2 x M25 x 1.5
Rated impulse withstand voltage U_{imp}	6 kV
Rated insulation voltage U_i	400 V
Conventional thermal current I_{the}	6 A
Utilisation category	AC-15
Rated operating current/voltage I_e/U_e	6 A/400 VAC
Short-circuit protection	6 A gG/gN fuse
Ambient temperature	-25 °C ... +70 °C
Mechanical life	> 100 000 operations

Errors and omissions excepted.



Emergency pull-wire switch ZS 75 2Ö/2S VD / 120-180 N

Material number: 1048416 (Material number old: 75441504)

Technical data

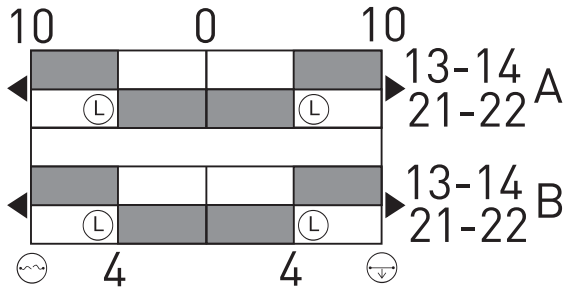
Max. wire length 130 m

Approvals



Weight 940 g

Switching diagram



- Ⓛ Latching point
- Ⓜ Wire breakage detection
- Ⓟ Wire pull detection

Contact diagram

