



## Pull-wire switch Extreme

EM 41 Z 1Ö/1S -40°C Extreme

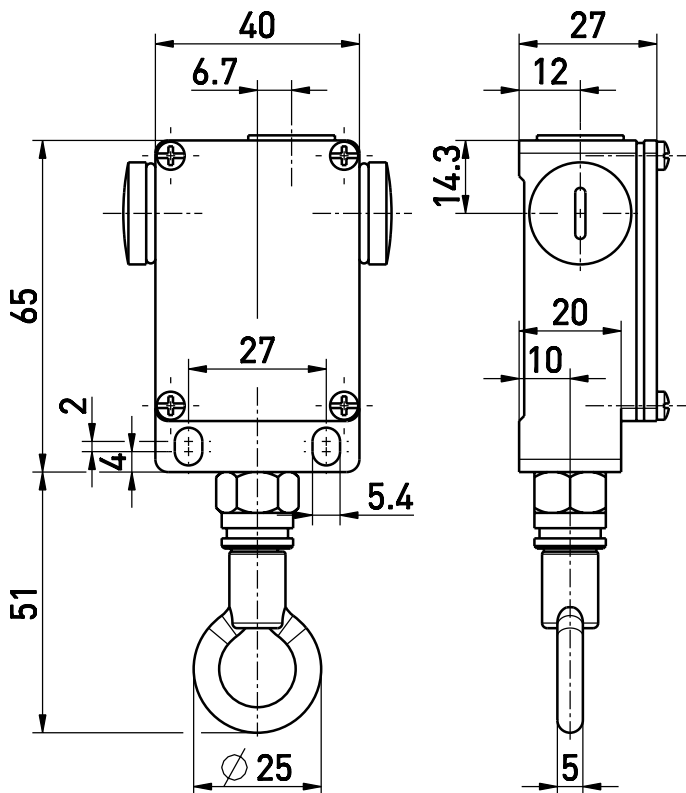
Material number: 1183202 (Material number old: 41141905)

### Features/Options:

- Cold-resistant down to -40 °C
- Metal enclosure
- Wall mounting
- Snap action: 2 contacts

- Pull-wire function
- Attention: Please state required international approvals with your order!

### Dimensions



### Technical data

Applied standards	EN 60947-5-1
Enclosure	aluminium die-cast, powder-coated
Cover	steel, powder-coated
Degree of protection	IP 65 to IEC/EN 60529
Contact material	silver
Switching elements	1 NC/1 NO contact
Switching system	snap action
Connection	screw connection terminals
Cable cross-section	max. 2.5 mm <sup>2</sup> (incl. conductor ferrules)
Cable entry	3 x M16 x 1.5
Rated impulse withstand voltage U <sub>imp</sub>	4 kV
Rated insulation voltage U <sub>i</sub>	400 V
Conventional thermal current I <sub>the</sub>	6 A
Utilisation category	AC-15
Rated operating current/voltage I <sub>e</sub> /U <sub>e</sub>	6 A/400 VAC
Short-circuit protection	6 A gG/gN fuse
Ambient temperature	-40 °C ... +80 °C
Mechanical life	> 1 million operations
Operation cycles	max. 3600/h
Actuating force	max. 45 N
Approvals	
Weight	170 g

Errors and omissions excepted.

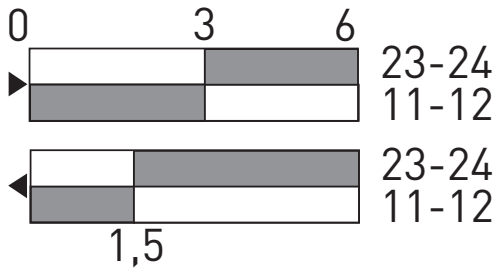


## Pull-wire switch Extreme

EM 41 Z 1Ö/1S -40°C Extreme

Material number: 1183202 (Material number old: 41141905)

### Switching diagram



### Contact diagram

