



Ex solenoid interlock

Ex AZM 415 1Ö1S/1Ö1S A-HU +90 °C -2D

Material number: 1188480 (Material number old: 94353906)

Features/Options:

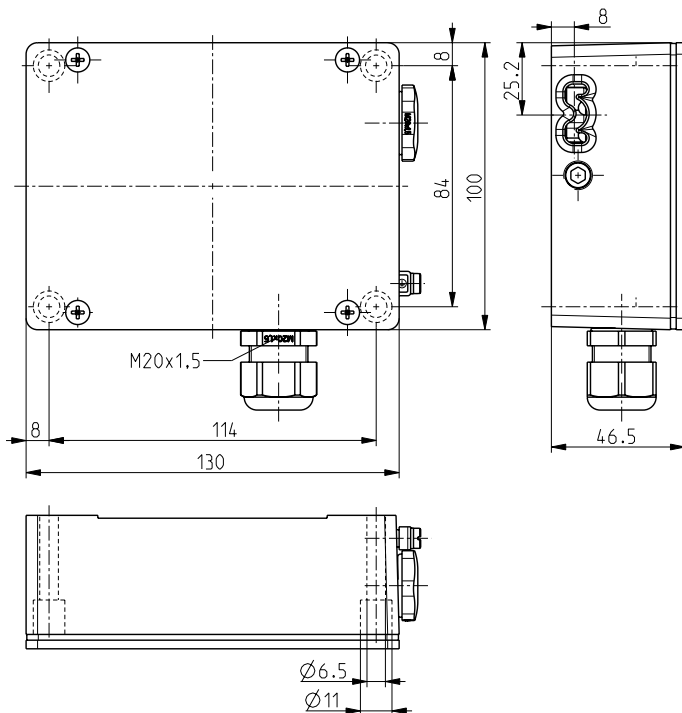
- Ex zone 21
- Heat-resistant up to +90 °C
- Power-to-lock principle
- Problem-free opening of stressed doors by means of bell-crank system

- High locking force 3500 N
- Ball catch
- Wiring compartment

Notes

- The actuator is not included in the delivery of the switches
- 1 additional cable gland M20x1.5 is included in delivery

Dimensions



Technical data

Applied standards	EN 60947-5-1, EN ISO 14119, EN 60079-0, EN 60079-31, EN ISO 13849-1
Enclosure	aluminium die-cast, enamel finish
Cover	aluminium, enamel finish
Switch type	type 2
Coding level	low coding
Tightening torque	cover screws: 0.5 ... 0.6 Nm switch inserts M3 screw connection terminals: min. 0.6 Nm
Degree of protection	IP 67 to IEC/EN 60529
B _{10d} (10 % load)	2 million
T _M	max. 20 years
Switch insert	2 x Ex 95
Contact material	silver
Switching system	slow action, positive break NC contacts ⊖
Switching elements	1 NC/1 NO contact + 1 NC/1 NO contact
Connection	screw connection terminals
Cable cross-section	min. 0.2 mm ² / AWG 24, max. 1.5 mm ² / AWG 16
Cable entry	2 x M20 x 1.5 (incl. 1 cable gland)
Clamping range	7 ... 12 mm
Rated impulse withstand voltage U _{imp}	4 kV
Rated insulation voltage U _i	250 V

Errors and omissions excepted.



Ex solenoid interlock

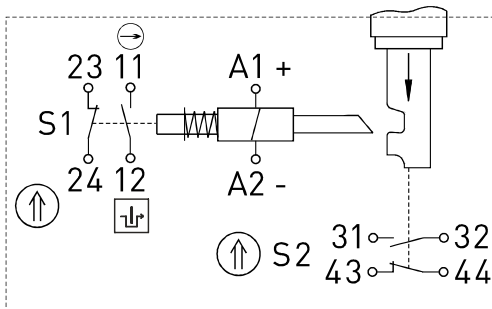
Ex AZM 415 1Ö1S/1Ö1S A-HU +90 °C -2D

Material number: 1188480 (Material number old: 94353906)

Technical data

Conventional thermal current I_{the}	4 A
Utilisation category	AC-15; DC-13
Rated operating current/voltage I_g/U_g	enabling/signalling contacts: 4 A/250 VAC; 0.25 A/230 VDC; direct-current solenoid: 0.08 A / 24 VDC $\pm 10\%$
Short-circuit protection	6 A gG/gN fuse; direct-current solenoid: 2 A (slow blow)
Power consumption	max. 12 W (0.25 s)
Ambient temperature	-20 °C ... +90 °C
Operation cycles	max. 1200/h
Drop-out delay	< 50 ms
Mechanical life	> 1 million operations
Locking force F_{max}	3500 N
Locking force of integrated ball	50 - 200 N, adjustable catch
Impact energy	max. 7 J
Ex marking	Ex II 2D Ex tb IIIC T130°C Db IP67, IECEx Ex tb IIIC T130 °C Db IP67
Approvals	BVS 08 ATEX E 155 X IECEx BVS 12.0013X
Weight	1000 g

Contact diagram



⊖ positive break

↑ actuated

⊘ not actuated

⏏ monitoring of the guard-lock to EN ISO 14119

Errors and omissions excepted.