



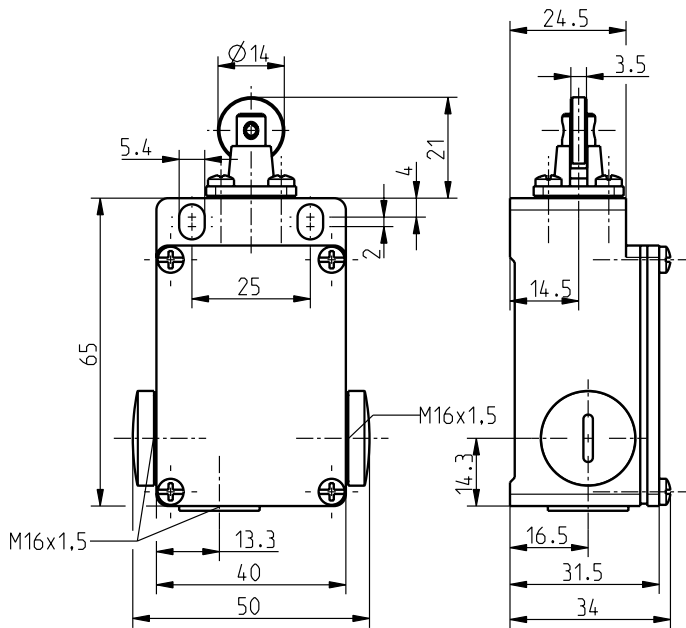
Position switch EM 411 R 1Ö/1S

Material number: 1046685 (Material number old: 43109001)

Features/Options:

- Metal enclosure
- Snap action, change-over contact with double break
- 3 cable entries M16 x 1.5
- Actuator: Roller plunger R
- Actuating speed max. 0.5 m/s with a vertical actuating angle of 30°
- Metal roller
- Actuator can be repositioned by 4 x 90°

Dimensions



Technical data

| | |
|-------------------------------------------|-----------------------------------------------------|
| Applied standards | EN 60947-5-1 |
| Enclosure | aluminium die-cast, powder-coated |
| Degree of protection | IP 65 to IEC/EN 60529 |
| Contact material | silver |
| Switching system | snap action |
| Switching elements | 1 NC/1 NO contact, type Zb |
| Connection | screw connection terminals |
| Cable cross-section | max. 2.5 mm ² (incl. conductor ferrules) |
| Cable entry | 3 x M16 x 1.5 |
| Rated impulse withstand voltage U_{imp} | 4 kV |
| Rated insulation voltage U_i | 400 V |
| Conventional thermal current I_{the} | 6 A |
| Utilisation category | AC-15 |
| Rated operating current/voltage I_e/U_e | 6 A/400 VAC |
| Short-circuit protection | 6 A gG/gN fuse |
| Mechanical life | > 1 million operations |
| Operation cycles | max. 3600/h |
| Ambient temperature | -20 °C ... +80 °C |
| Repeat accuracy of switching points | ± 0.1 mm |
| Approvals | |
| Weight | 150 g |

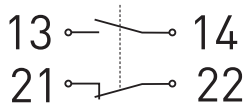
Errors and omissions excepted.



Position switch
EM 411 R 1Ö/1S

Material number: 1046685 (Material number old: 43109001)

Contact diagram



Switching diagram

