



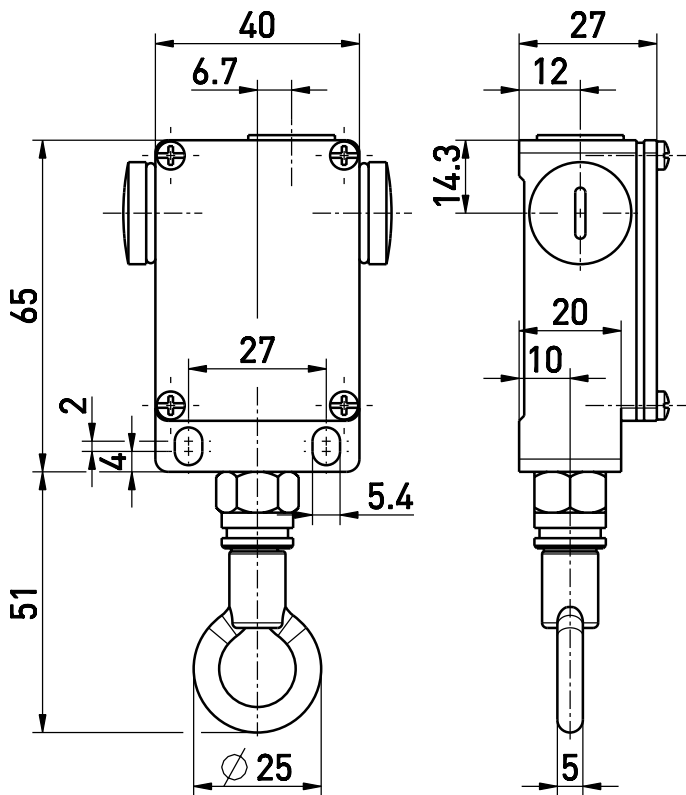
## Pull-wire switch ES 41 Z 1Ö/1S

Material number: 1046348 (Material number old: 41041001)

### Features/Options:

- Metal enclosure
- Wall mounting
- Slow action: 2 contacts
- Pull-wire function

### Dimensions



### Technical data

Applied standards	EN 60947-5-1
Enclosure	aluminium die-cast, powder-coated
Cover	steel, powder-coated
Degree of protection	IP 65 to IEC/EN 60529
Contact material	silver
Switching elements	1 NC/1 NO contact
Switching system	slow action
Connection	screw connection terminals
Cable cross-section	max. 2.5 mm <sup>2</sup> (incl. conductor ferrules)
Cable entry	3 x M16 x 1.5
Rated impulse withstand voltage $U_{imp}$	4 kV
Rated insulation voltage $U_i$	400 V
Conventional thermal current $I_{the}$	6 A
Utilisation category	AC-15
Rated operating current/voltage $I_e/U_e$	6 A/400 VAC
Short-circuit protection	6 A gG/gN fuse
Ambient temperature	-20 °C ... +80 °C
Mechanical life	> 1 million operations
Operation cycles	max. 3600/h
Actuating force	max. 45 N
Approvals	
Weight	166 g

Errors and omissions excepted.

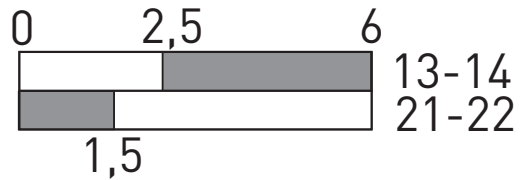


## Pull-wire switch

ES 41 Z 1Ö/1S

Material number: 1046348 (Material number old: 41041001)

### Switching diagram



### Contact diagram

