



## Ex command device

### Ex 14 RUV 1Ö/1S-1m

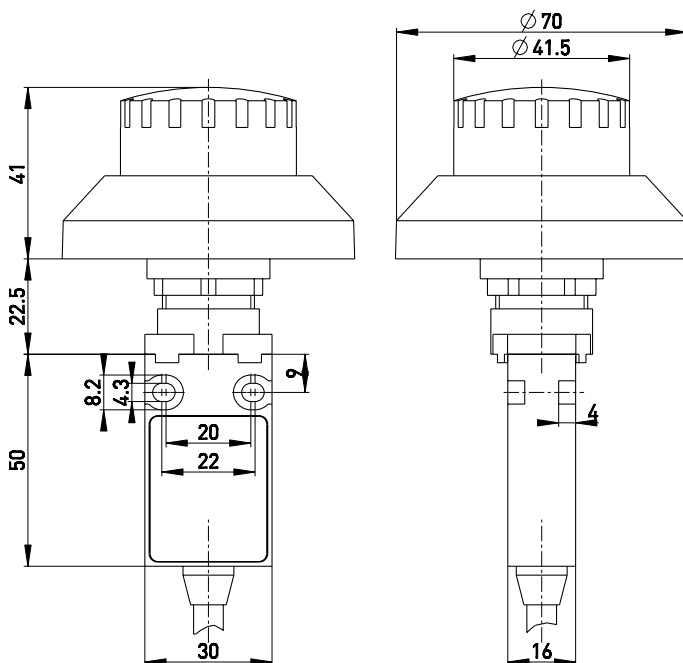
Material number: 1045526 (Material number old: 14059301)

#### Features/Options:

- Ex zone 1 and 21
- Double insulated
- Mounting hole diameter 22.5 mm
- With pre-wired cable
- Actuator: Emergency-stop push button RUV
- Actuator made of plastic

- Projection from front of panel 41 mm
- With collar to prevent blocking
- Reset by turning clockwise
- With pressure-point to protect against unintentional actuation
- Attention: Please state required international approvals with your order!

#### Dimensions



#### Technical data

|  |   |
|--|---|
| Applied standards  | EN 60947-5-1, EN 60947-5-5, EN ISO 13849-1, EN ISO 13850, EN 60079-0, EN 60079-1, EN 60079-31 |
| Enclosure  | thermoplastic, glass-fibre reinforced, impact resistant, self-extinguishing UL 94 V-0         |
| Degree of protection   | IP 65 to IEC/EN 60529   |
| B <sub>10d</sub> (10 % load)                                   | 60 000  |
| T <sub>M</sub>   | max. 20 years   |
| Contact material   | silver  |
| Switching system   | slow action, positive break NC contacts $\ominus$   |
| Switching elements   | 1 NC/1 NO contact, type Zb  |
| Connection   | pre-wired cable H05VV-F   |
| Cable cross-section  | 4 x 0.75 mm <sup>2</sup>  |
| Cable length   | 1 m   |
| Rated impulse withstand voltage U <sub>imp</sub>               | 4 kV  |
| Rated insulation voltage U <sub>i</sub>                        | 250 V   |
| Conventional thermal current I <sub>the</sub>                  | T6: 6 A, T5: 3 A  |
| Rated operating current/voltage I <sub>e</sub> /U <sub>e</sub> | 6 A/250 VAC; 0.25 A/230 VDC   |
| Utilisation category   | AC-15; DC-13  |
| Short-circuit protection                                       | 6 A gG/gN fuse  |
| Ambient temperature  | T6: -20 °C ... +65 °C,<br>T5: -20 °C ... +75 °C, +90 °C with max. 3 A                         |
| Mechanical life  | > 30 000 operations   |

Errors and omissions excepted.



Ex command device

Ex 14 RUV 1Ö/1S-1m

Material number: 1045526 (Material number old: 14059301)

## Technical data

Operation cycles

max. 1800/h

Ex marking

⊕ II 2G Ex db IIC T6/T5 Gb,  
⊕ II 2D Ex tb IIIC  
T80 °C/T95 °C Db  
IECEX Ex db IIC T6/T5 Gb,  
Ex tb IIIC T80 °C/T95 °C Db

Approvals

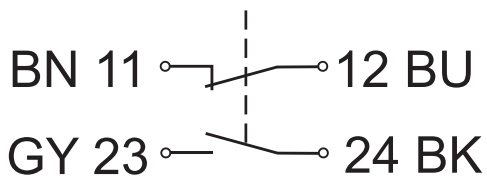
PTB 03 ATEX 1070 X  
IECEX PTB 06.0098X



Weight

160 g

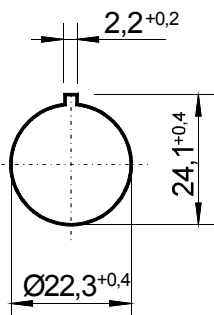
## Contact diagram



## Switching diagram



## Cut out dimensions



Errors and omissions excepted.