



Foot switch Extreme GFS 1ÖS D 1ÖS IP69 Thermopl. protective shield Extreme Material number: 1184972 (Material number old: 81221003)

Features/Options:

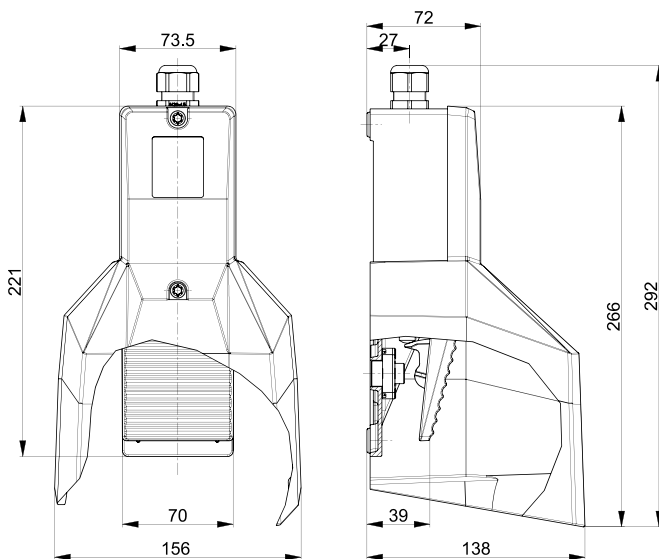
- Version with higher degree of protection IP 69: suitable for cleaning with 80 °C hot water at 100 bar pressure at a distance of 100 mm from different directions
- With thermoplastic protective shield
- With pressure point: 2-step switch
- 4 contacts

- High level of stability
- Low pedal height
- Wiring compartment
- Attention: Please state required international approvals with your order!

Notes

- 1 cable gland M20x1.5 - IP 69 included in delivery

Dimensions



Technical data


Applied standards	EN 60947-5-1
Enclosure	aluminium die-cast, enamel finish, RAL 5011
Pedal	thermoplastic, glass-fibre reinforced, impact resistant, self-extinguishing UL 94 V-0
Protective shield	thermoplastic, glass-fibre reinforced, impact resistant, self-extinguishing UL 94 V-0
Tightening torque	cover screws: approx. 3 Nm
Degree of protection	IP 66, IP 67, IP 69 (IEC/EN 60529) / IP 69K (ISO 20653)
B _{10d} (10 % load)	2 million
T _M	max. 20 years
Connection	screw connection terminals
Cable cross-section	max. 2.5 mm ² (incl. conductor ferrules)
Cable entry	1 x M20 x 1.5
Contact material	silver
Switching system	slow action, positive break NC contacts ⊖
Switch insert	2 x ES 40 GF
Switching elements	2-step switching: 1 NC/1 NO contact pressure point: 1 NC/1 NO contact
Actuating force	pressure point approx. 245 N
Utilisation category	AC-15
Rated operating current/ voltage I _e /U _e	6 A/400 VAC

Errors and omissions excepted.

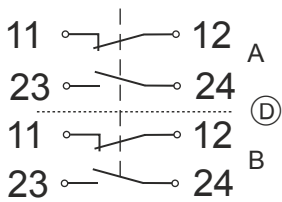


Foot switch Extreme
 GFS 1ÖS D 1ÖS IP69 Thermopl. protective shield Extreme
 Material number: 1184972 (Material number old: 81221003)

Technical data

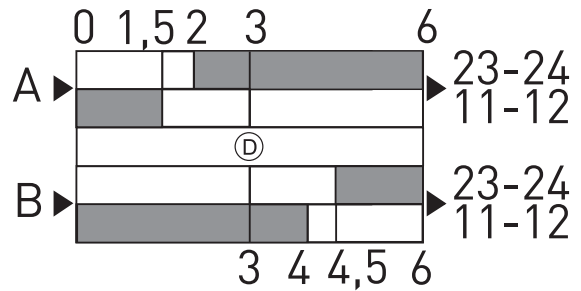
Short-circuit protection	6 A gG/gN fuse
Ambient temperature	-25 °C ... +80 °C
Mechanical life	> 1 million operations
Approvals	
Weight	972 g

Contact diagram



Ⓧ Pressure point

Switching diagram



Ⓧ Pressure point