

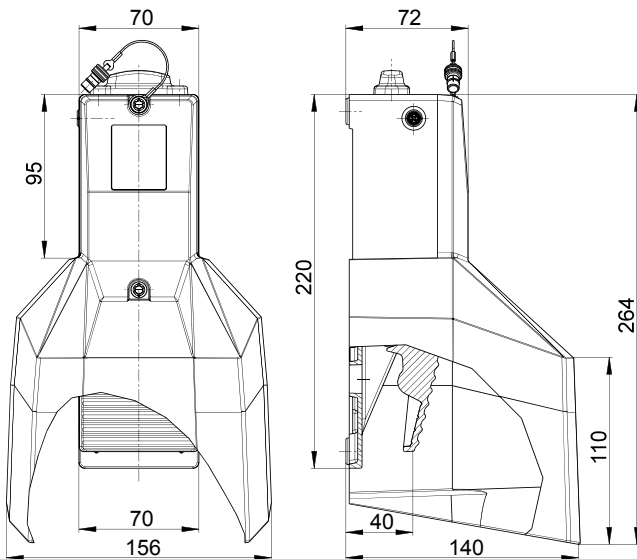


Safe wireless system sWave®-safe RF GFS 2S SW2.4-safe / RF RxT SW2.4-safe (SET) Material number: 1329078

Features/Options:

- Set consisting of: Foot switch 1-pedal with protective shield
+ charging device
+ wireless receiver [RF RxT SW2.4-safe](#)
+ magnetic base antenna
+ pairing cable
- Compact: A wireless receiver that can be parameterised including evaluation electronics and antenna system
- License-free: Operation in license-free 2.4 GHz ISM frequency band
- Interference-free: Interference-free parallel operation with other systems at a high system density is possible
- Noise immune: High EMC interference resistance in an industrial environment
- 2 NO contacts

Dimensions



Technical data

RF GFS SW2.4-safe

Applied standards EN 60947-5-1, EN 61000-6-2, EN 62061, EN 61326-3-1, EN ISO 13849-1, EN 61784-3, EN 300 328, EN 301 489-1/-17, EN 60950-1, EN 50371

Enclosure aluminium die-cast, powder-coated

Degree of protection IP 67 to IEC/EN 60529

Protocol sWave®

Frequency 2.4 - 2.4835 GHz

Transmission power 3.15 mW

Voltage supply rechargeable lithium ion battery

Nominal voltage 3.7 V

Nominal capacity 2.25 Ah

Charging device power supply 7.5 V/800 mA; 1.8 m cable with connector (EURO, UK, USA/JAPAN, AUS, IEC)

Battery life after 300 charging cycles 80 % battery capacity

Safety-relevant data:

EN ISO 13849-1 Performance Level PL d

Category 2

B_{10d} (10 % load) 20 million

T_M max. 20 years

$MTTF_{d\text{ electronic}}$ 216 years

$MTTF_d$ 119 years

Errors and omissions excepted.

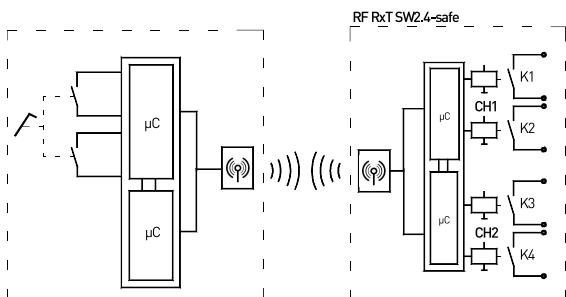


Safe wireless system sWave®-safe
 RF GFS 2S SW2.4-safe / RF RxT SW2.4-safe (SET)
 Material number: 1329078

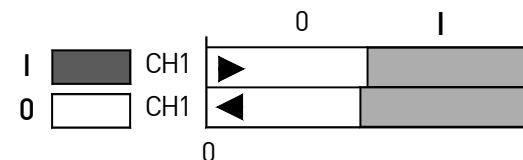
Technical data

DC/DC _{avg}	84 %
PFH _d	5.28 x 10 ⁻⁷ 1/h
n _{op}	378000
Transmission interval	< 50 ms
Synchronisation after sleep mode	max. 8 s
Current consumption	active: approx. 35 mA sniff mode: approx. 12 mA sleep mode: approx. 1 mA
Ambient temperature charging	0 °C ... +40 °C
Ambient temperature	-20 °C ... +55 °C
Storage and shipping temperature	-20 °C ... +60 °C
Mechanical life	> 1 million operations
Wireless range	max. 15 m indoors
Wireless approvals	Europe: RED 2014/53/EU USA: FCC-Id. T7V-BC06 Canada: IC 216Q-BC06 Japan: ARIB STD-T66
Approvals	TÜV Nord
Technical data RF RxT SW2.4-safe	see separate data sheet of / RF RxT SW2.4-safe >
Weight	2020 g

Contact diagram



Switching diagram



Errors and omissions excepted.