



Wireless universal transmitter RF I/O SW868-4E-Vcc-ext Material number: 1362723

Features/Options:

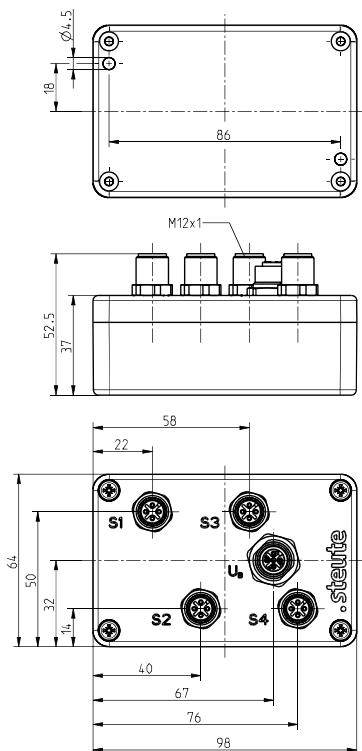
- Thermoplastic enclosure
- sWave® wireless technology
- Can be combined with [3-wire PNP sensors 24 VDC](#) or external sensors or NO contacts with gold contacts
- No wiring and pipe laying required

- External power supply via M12 female plug-in connector
- Easy programming of receiver
- Output signal can be individually configured at the receiver

Notes

- Delivery does not include protective caps.

Dimensions



Technical data

Applied standards	EN 60947-5-1, EN 61000-6-2, EN 61000-6-3, EN 61000-4-4, EN 61000-4-5, EN 61000-4-6, EN 301 489-1, EN 301 489-3, EN 300 220-1, EN 300 220-2
Enclosure	ABS
Degree of protection	IP 67 to IEC/EN 60529
Protocol	sWave®
Frequency	868.3 MHz (Europe, China)
Transmission power	< 25 mW
Data rate	66 kbps
Channel bandwidth	480 kHz
Voltage supply	24 VDC
Connection	Sensors: plug-in connector 4 x M12 x 1, 4-pole power supply: 1 x M12 female plug-in connector
Ambient temperature	-20 °C ... +65 °C
Operation cycles	max. 12000 telegrams with repetitions/h
Switching frequency	max. 5 Hz
Rated operating voltage range U_B	18 ... 30 VDC Pin 1 and Pin 3 connector M12
Rated insulation voltage U_i	75 VDC
Rated impulse withstand voltage U_{imp}	0.5 kV
Rated operating current I_e	2.5 mA
Voltage drop $U_e - U_a$	3.5 V with 4 x 50 mA sensor current

Errors and omissions excepted.

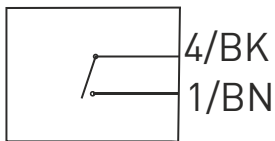


Wireless universal transmitter RF I/O SW868-4E-Vcc-ext Material number: 1362723

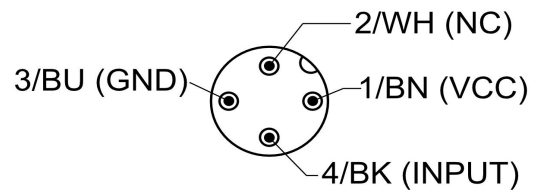
Technical data

Load current	max. 50 mA per sensor connection
Switching points	> 5 VDC (E1 - E4)
Wireless range	max. 450 m outdoors, max. 40 m indoors
Actuating time	min. 80 ms
Note	status signal adjustable via jumper, no, 10 s, 100 s, 1000 s, 10000 s delivery state: jumper position without status signal
Wireless approvals	Europe: RED 2014/53/EU
Weight	175 g

External switch contact



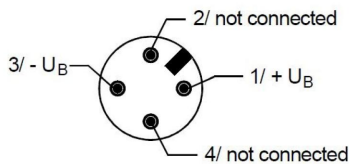
Plug-in configuration



Colour coding only valid for
coupling 4-poles mat. no. 1215497 and
coupling 4-poles mat. no. 1262873

Plug-in configuration / Power supply

- M12 x 1
- 1 BN +U_B
- 2 WH NC
- 3 BU -U_B
- 4 BK NC



Errors and omissions excepted.